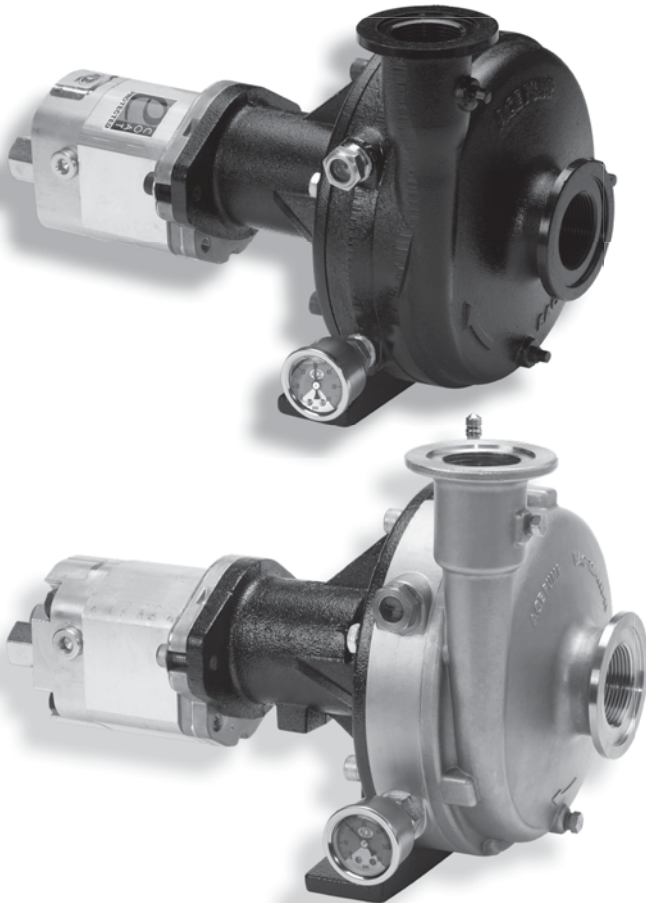




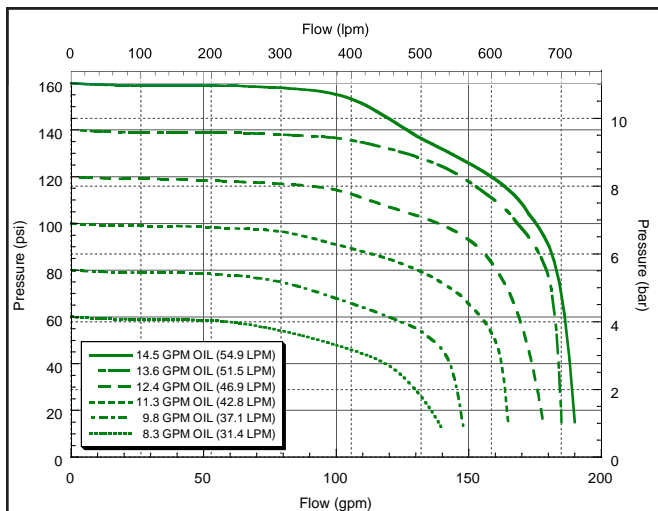
High Performance Oasis™ Wet Seal Centrifugal Pump



FMCWS-650F-HYD FMCWS-650FS-HYD

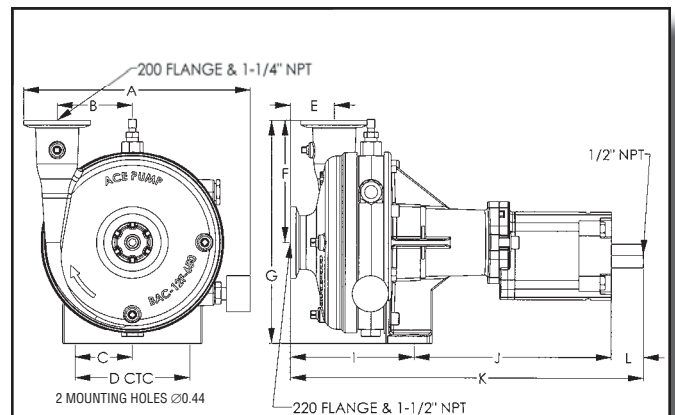
- Suction 220 Flange & 1-1/2" NPT
- Discharge 200 Flange & 1-1/4" NPT
- High Performance Pump
 - Maximum Flow 170 GPM (644 LPM)
 - Maximum Pressure 160 PSI (11 BAR)
- WetSeal Technology
 - Prevents Run Dry Failure
 - Isolates Seals from Chemicals and Fertilizers
- Maximum Reliability
 - -FS Model - 316 Stainless Steel
 - Operates at Lower RPM
 - Oversized Bearings
 - High Efficiency 4000 PSI (275 BAR) Pressure Plated Gear Motor
 - E-coat Corrosion Protection

PERFORMANCE CHART



Note: Performance with flanged connections and full size plumbing.

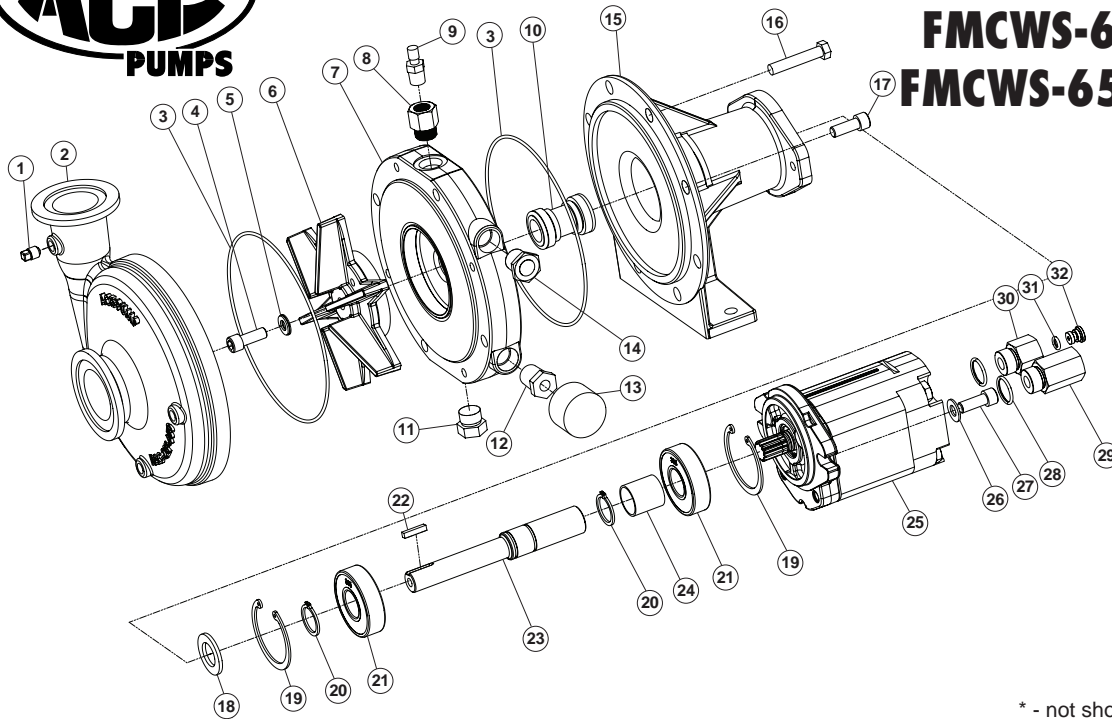
DIMENSIONS



	A	B	C	D	E	F	G	I	J	K	L
INCHES	10.60	3.44	2.63	5.25	2.00	5.62	10.3	5.63	8.82	15.95	1.50
MM	269.2	87.4	66.8	133.4	50.8	142.8	261.6	143.0	224.0	405.1	38.1



FMCWS-650F-HYD FMCWS-650FS-HYD



* - not shown in parts diagram

REF. #	PART NUMBER	EDP #	DESCRIPTION	REQ.
1	BAC-53	41110	Pipe plug, 1/8" NPT	3
1	41120	41120	Pipe plug, 1/8" NPT, stainless steel (FS model)	3
2	BAC-12-650-FLG	30159	Volute, NPT & 220 flange x NPT & 200 flange	1
2	BAC-12-650-FLG-SS	30156	Volute, 220 flange x 200 flange, 316 stainless steel (FS model)	1
3 ^①	BAC-4-150	40015	O-ring, volute seal	2
4	40930	40930	Cap screw, 3/8" NC x 3/4" hex head, stainless steel	1
5 ^①	30029	30029	Washer, 3/8" I.D., sealing, stainless steel	1
6	BAC-26-650-WS	30192	Impeller, cast iron, wetseal, e-coated	1
6	BAC-26-650-WS-SS	30193	Impeller, stainless steel, wetseal (FS model)	1
7	BAC-16-650	45262	Seal plate, cast iron, e-coated	1
7	BAC-16-650-SS	45266	Seal plate, cast iron, 316 stainless steel (FS model)	1
8	41107	41107	Plug, #8 SAE x 1/4" FNTP, hex, with O-ring	1
9	41316	41316	Air valve, 1/4" NPT	1
10 ^①	BAC-7-650-WS	40143	Seal, dual seal assembly, Type 21, .750 shaft	1
11	41108	41108	Plug, #8 SAE, hex head, with O-ring	1
12	44039	44039	Bushing, #8 sae x 1/8" FNPT	1
12	44038	44038	Bushing, 1/2" MNPT x 1/8" FNPT (prior to 11/11)	1
13	50150	50150	Gauge, pressure, 0-60 PSI, 1/8" NPT	1
14	55851	55851	Gauge, sight, brass, #8 SAE, with float	1
14	55850	55850	Gauge, sight, brass, 1/2" NPT (prior to 11/11)	1
15	BAC-14-650-HYD	40325	Mounting frame, cast iron, e-coated	1
16	BAC-42	40970	Cap screw, 3/8" NC x 2" hex head (volute)	4
17	41907	41907	Cap screw, 3/8" NC x 1", socket head, stainless steel (seal plate)	4
18	BAC-54-650	41132	Slinger, 1.5" OD x 7/8" ID	1
19	41943	41943	Snap ring, internal, mounting frame	2
20	ACAL-32	30174	Snap ring, external, shaft	2
21	40875	40875	Bearing, FMC-650 models	2
22	41085	41085	Key, .188 x .188 x .875	1
23	BAC-6-650-HYD-SS-WS	40049	Shaft, 11T female spline, stainless steel	1
24	BAC-32-650-WS	40802	Spacer, shaft	1
25	BAC-75-HYD-M16	41359	Hydraulic motor, pressure plated gear, 14.5 GPM	1
25	BAC-75-HYD-M16-CD	41358	Hydraulic motor, pressure plated gear, 14.5 GPM, case drain	1
26	42701	42701	Washer, 3/8", stainless steel	2
27	41907	41907	Cap screw, 3/8" NC x 1", socket head, stainless steel	2
28	41445	41445	O-ring, #10 SAE fitting	2
29	41442	41442	Reverse check, #10 SAE male x 1/2" FNPT	1
30	41446	41446	Body, adapter/restrictor, #10 SAE male x 1/2" FNPT	1
31	41448	41448	O-ring, restrictor insert	1
32	BAC-79-8	41447	Restrictor orifice insert, .125	1
*33 ^①	55032	55032	Barrier fluid, quart	0.45
①	RK-FMCWS-650	52722	Repair kit, includes items 3 (2 each), 5, 10, and 33 (1 quart)	--