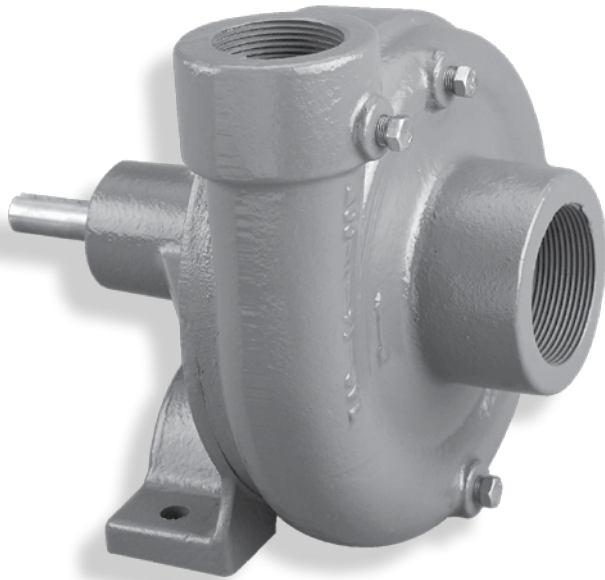


Frame Mounted Centrifugal Pump



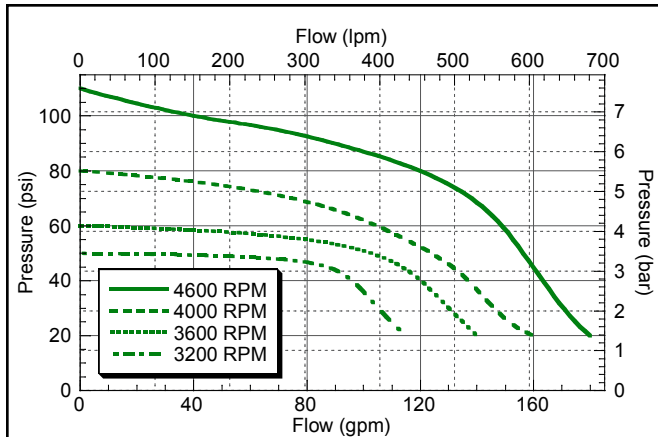
FMC-200

- Suction 2" - Discharge 1-1/2"
- For High Volume Applications: Capacity to 180 GPM
- Counterclockwise Rotation when Facing Shaft End
- Standard Viton® Carbon/Ceramic seal or Optional Severe Duty Silicon Carbide Mechanical Seal
- Chemical Resistant Valox® or Optional Cast Iron Impeller
- Stainless Steel Shaft

® Valox is a registered trademark of GE Plastics.

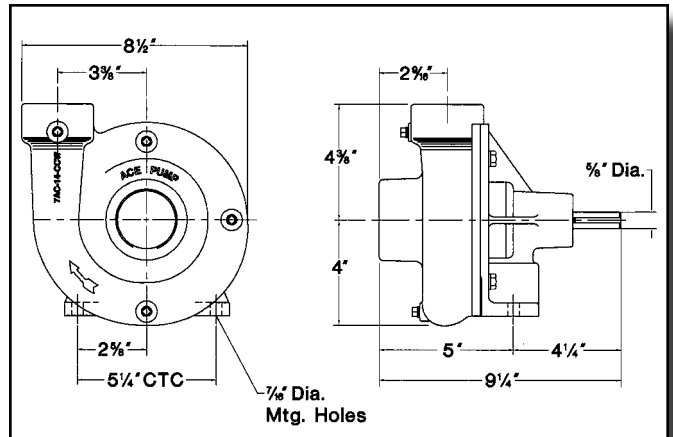
® Viton is a registered trademark of DuPont Dow Elastomers.

PERFORMANCE CHART



$$\frac{\text{Pump RPM}}{\text{Driveshaft RPM}} = \frac{\text{Drive Pulley Diameter}}{\text{Pump Pulley Diameter}}$$

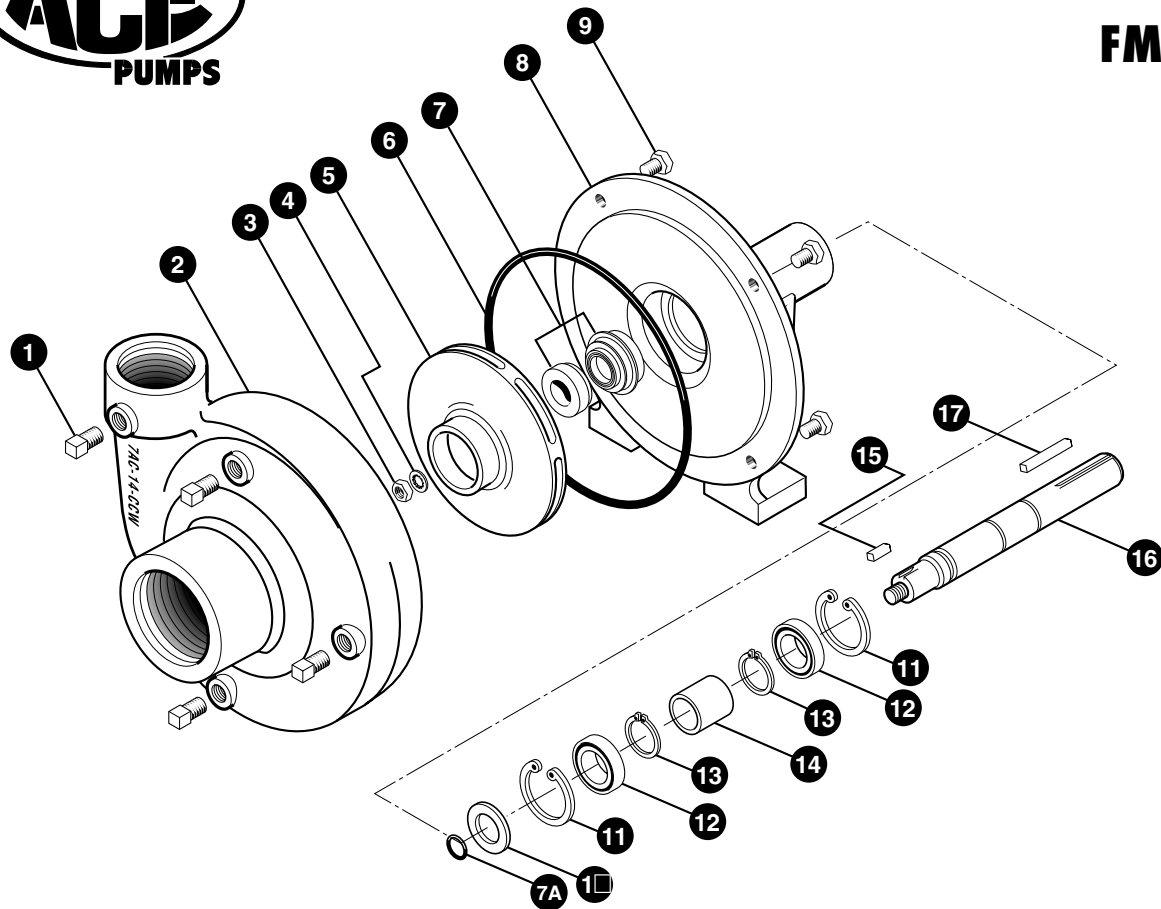
DIMENSIONS



INCHES	9 1/4	8 1/2	5 1/4	5	4 3/8	4 1/4	4	3 3/8	2 5/8	2 9/16
MM	235.0	215.9	133.4	127.0	111.1	108.0	101.6	85.7	66.7	65.1



FMC-200



REF. #	PART #	EDP #	DESCRIPTION	REQ.
1	BAC-53	41110	Pipe plug, 1/8" NPT	4
1	41120	41120	Pipe plug, 1/8" NPT, stainless steel (optional)	4
2	7AC-14-CCW	41526	Volute, 2" x 1-1/2", cast iron	1
3	BAC-23-A	40391	Nut, 3/8" NF Hex, cad plated locknut	1
3	BAC-23-B-SS	40393	Nut, 3/8" NF, stainless steel (standard on -SS models)	1
4 ^{①②}	BAC-24-HYD-SS	40400	Washer, 3/8", stainless steel	1
4	BAC-24-B-SS	42702	Washer, 3/8", stainless steel, vibration proof (standard on -SS models)	1
5	BAC-26-200-P	40434	Impeller, 5-1/2" dia., extended keyway, thermoplastic, effective Dec. '98	1
5	BAC-26-200-CI	40433	Impeller, 5-1/2" dia., extended keyway, cast iron, effective Dec. '98 (optional)	1
5	BAC-26-200-SS	40436	Impeller, with extended keyway, 316 stainless steel (optional)	1
5	BAC-26-HYD-200-CI	41525	Impeller, 5-1/2" dia., with keyway, cast iron, prior Dec. '98	1
6 ^{①②}	BAC-4A	40005	"O" Ring for BAC-12 volute seal, effective Apr. '96	1
6	BAC-4	40010	Gasket, 4 hole	1
7 ^①	BAC-7V	40151	Seal, Viton mechanical seal (includes 40160 "O" Ring)	1
7 ^②	BAC-7SC	40152	Seal, Silicon carbide mechanical seal (includes 40160 "O" Ring) (optional)	1
7A ^{①②}	40160	40160	"O" Ring for BAC-6 shaft	1
8	BAC-14-F	40310	Mounting frame	1
9	40930	40930	Cap screw, 3/8" NC x 3/4" Hex head, stainless steel (optional)	4
9	40950	40950	Cap screw, 3/8" NC x 3/4" Hex head	4
10	BAC-54	41130	Slinger	1
11	BAC-33	40810	Snap ring, internal, BAC-14 mounting frame	2
12	BAC-37	40870	Bearing, BAC-6 driven shaft	2
13	BAC-32	40790	Snap ring, external, BAC-6 driven shaft	2
14	BAC-32-S	40795	Spacer for BAC-6 shaft	1
15	BAC-25	40425	Key, 1/8" x 1/8" x 13/16", extended keyway, effective Dec. '98	1
15	BACH-25	40420	Key, 1/8" x 1/8" x 1/2"	1
16	BAC-6-150/200-SS	40056	Shaft, 5/8" Driven shaft with keyway, stainless steel	1
16	BAC-6-200-SS	40057	Shaft, 5/8" Driven ,extended keyway, stainless steel, effective Dec. '98	1
17	BAC-50	41080	Key, 3/16" x 3/16" x 1-1/4"	1
①	RK-FMC	52700	Repair kit for FMC series	-
②	RK-FMCS	52706	Repair kit for FMC series with silicon carbide seal	-