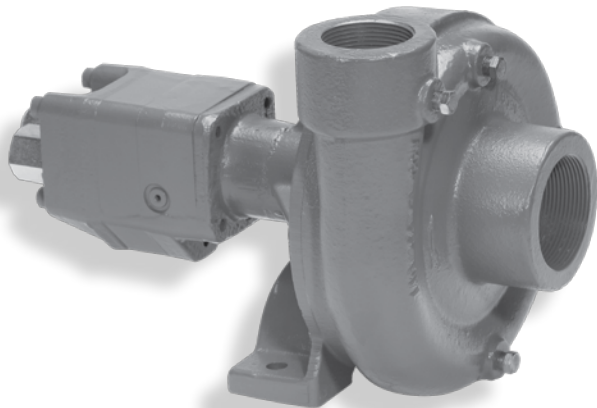


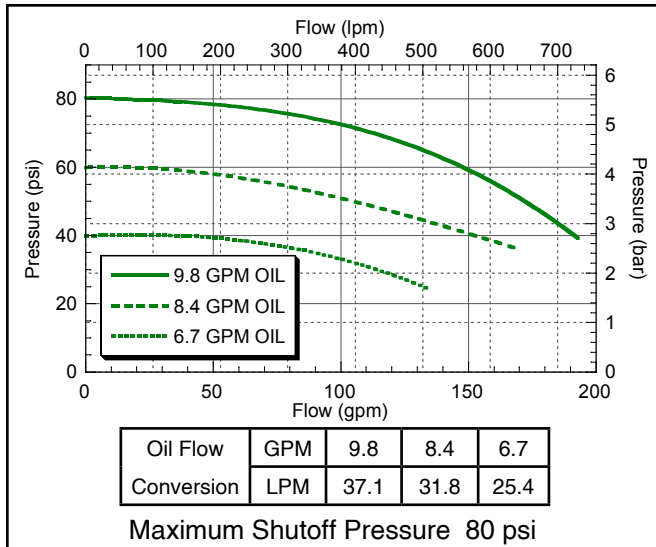
High Capacity Hydraulic Driven Centrifugal Pump



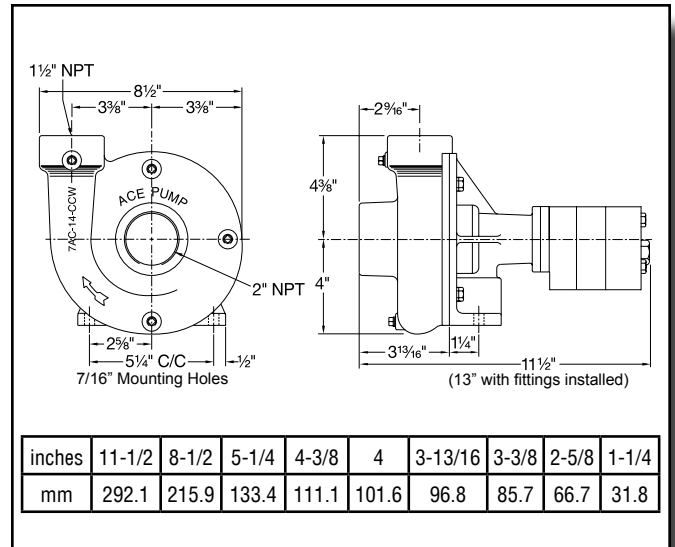
FMC-200-HYD-210

- Suction 2" Discharge 1-1/2"
- Recommended for use on the following Hydraulic Systems:
 - ✓ Pressure Compensating Closed Center
 - ✓ Load Sensing or Pressure Flow Compensating Closed Center
 - ✓ Open Center up to 19 GPM(72 LPM)
- 10 GPM(38 LPM) Hydraulic Motor - Max Hydraulic Pressure 1700 PSI(117 BAR)
- Integral Needle Valve bypasses up to 9 GPM(34 LPM) on Open Center Systems
- Standard Viton® Carbon/Ceramic seal or Optional Severe Duty Silicon Carbide Mechanical Seal
- Stainless Steel Shaft and Wear Ring

PERFORMANCE CHART



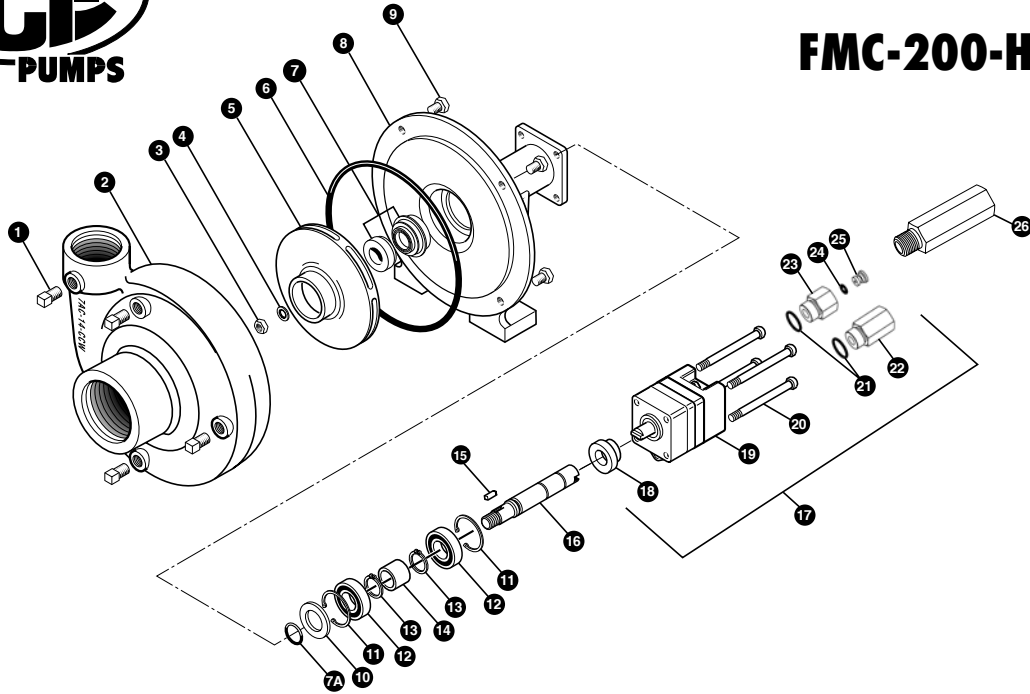
DIMENSIONS



Valox® is a registered trademark of GE Plastics.
 Viton® is a registered trademark of DuPont Dow Elastomers.



FMC-200-HYD-210



REF. #	PART NUMBER	EDP #	DESCRIPTION	REQ.
1	BAC-53	41110	Pipe plug	4
1	41120	41120	Pipe plug, stainless steel (optional)	4
2	7AC-14-CCW	41526	Volute, 2" x 1-1/2"	1
2	7AC-14-FLG	41530	Volute, 300 series flange x 220 series flange (200F models)	1
3	BAC-23-A	40391	Nut, 3/8" NF, cad plated	1
3	BAC-23-A-SS	40392	Nut, 3/8" NF, stainless steel (optional)	1
4①②	BAC-24-HYD-SS	40400	Washer, 3/8" star, stainless steel	1
5	BAC-26-200-CI	40433	Impeller, with extended keyway, cast iron (optional)	1
5	BAC-26-200-P	40434	Impeller, with extended keyway, Valox plastic	1
6①②	BAC-4A	40005	O-ring, body seal	1
7①	BAC-7V	40151	Seal, mechanical, Viton (includes 40160 O-Ring)	1
7②	BAC-7SC	40152	Seal, mechanical, silicon carbide (includes 40160 O-Ring) (optional)	1
7A	40160	40160	O-ring, shaft seal	1
8	BAC-14-HYD	40300	Mounting frame	1
9	40950	40950	Cap screw, 3/8" NC x 3/4" hex head	4
9	40930	40930	Cap screw, 3/8" NC x 3/4" hex head, stainless steel (optional)	4
10	BAC-54	41130	Slinger	1
11	BAC-33	40810	Snap ring, internal, BAC-14 mounting frame	2
12	BAC-37	40870	Ball Bearing, sealed, BAC-6 shaft	2
13	BAC-32	40790	Snap ring, external, BAC-6 shaft	2
14	BAC-32-S	40795	Spacer for BAC-6 shaft	1
15	BAC-25	40425	Key, 1/8" x 1/8" x 13/16", extended keyway	1
16	BAC-6-HYD-200-SS	40063	Shaft, extended keyway, tang slot, stainless steel	1
17	BAC-75-HYD-210	41375	Hydraulic motor, 10 GPM (includes parts 18-25)	1
18	S200	40161	Seal support spacer for 200 Series HYD motor	1
19	BAC-75-HYD-210N	41434	Hydraulic motor, 10 GPM (motor only - no external fittings)	1
20	41254	41254	Cap screw, 5/16" N.C. x 4" socket head (for 210N motor)	4
21	41875	41875	O-ring, #8 SAE fitting	2
22	BAC-78-8SAE	41441	Reverse check valve, #8 SAE male x 1/2" NPT female	1
23	BAC-80-8SAE	41455	Adapter, restrictor body, #8 SAE male x 1/2" NPT female	1
24	41448	41448	O-ring, orifice insert	1
25	BAC-79-7	41456	Orifice, restrictor insert, .109 (210N)	1
26	LS-210N	41423	Flow limiting valve (210N), #8 SAE male x 1/2" NPT female (optional)	1
①	RK-FMC	52700	Repair kit for FMC series pump	-
②	RK-FMCSC	52706	Repair kit for FMC series pump with silicon carbide shaft seal	-
#	RK-BAC-75-HYD-L	41362	Repair kit for 200 Series motor with high pressure lip seal	-