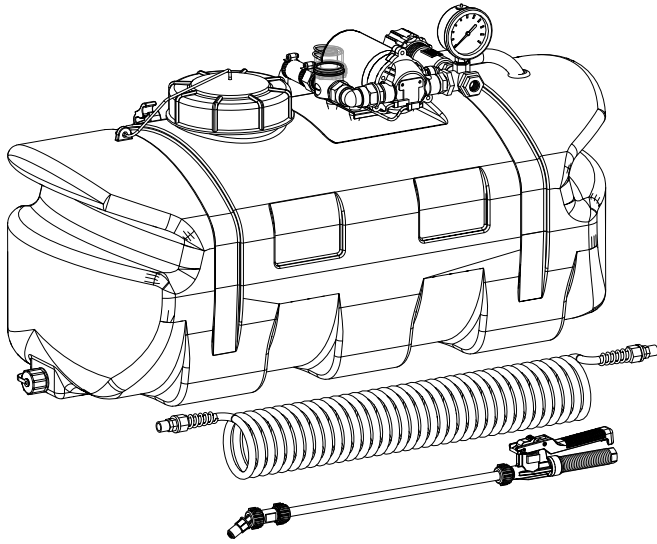


OWNER'S MANUAL



Model: AG15-DLXRG (5302075)

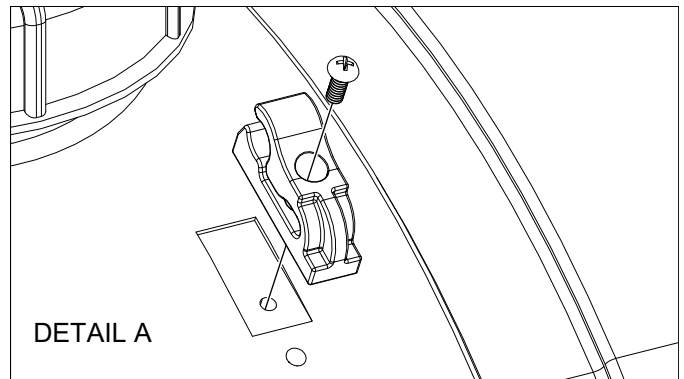
(15 Gallon Deluxe Lawn & Garden
Spot Sprayer w/Coiled Hose)

- 15 Gal. Corrosion-Resistant Polyethylene Tank
- SHURflo Bypass Pump, 1.4 GPM, 45 PSI
- TriggerJet Handgun
- 15 Ft. Coiled Handgun Hose

Assembly Instructions

Your sprayer has been mostly assembled at the factory. The only requirements will be to attach the wand clips to the tank, refer to Detail A below, and for you to hook up your battery leads to a fully charged 12 Volt battery. The red wire must be connected to the "hot" lead and the black wire should be connected to the ground.

CAUTION: Always check the vehicle load rating before using this sprayer. Do not exceed the recommended rating.



Locate the (2) clips and (2) phillips head screws from the parts bag.

A phillips head screwdriver is required for this step

Place a screw through the hole in the clip and bring it up to the tank, where the embossments for the clips are (located on the rear side of the tank)

Secure the clip/screw to the tank. Tighten so that the clip is secure. Do this for each clip.

**** DO NOT OVER-TIGHTEN ****

The spray wand will snap into the clips once installed. Do not use excessive force when placing the spray wand into the clips, as this could cause the clips to break.



www.agspray.com

[5194700

(11/18)]

IF YOU SHOULD HAVE A QUESTION OR EXPERIENCE A PROBLEM WITH YOUR AG SPRAY PRODUCT GIVE US A CALL

BAKERSFIELD, CA 877-724-2236	COLUMBUS, NE 800-274-1025	DOTHAN, AL 800-227-4098
FARGO, ND 701-280-2862	HOPKINSVILLE, KY 800-637-7172	MANKATO, MN 507-388-6295
NEWTON, KS 800-394-7662	PASCO, WA 800-634-2026	TEMPE, AZ 877-974-7166

BEFORE YOU CALL, PLEASE HAVE THE FOLLOWING INFORMATION AVAILABLE: SALES RECEIPT & MODEL NUMBER. IN MOST CASES, AN AG SPRAY EMPLOYEE CAN RESOLVE THE PROBLEM OVER THE PHONE

General Information

Thank you for purchasing this product. The purpose of this manual is to assist you in operating and maintaining your lawn & garden spot sprayer.



WARNING: To reduce the risk of injury, the user must read and understand the operator's manual before using this product.



WARNING: Cancer and Reproductive Harm
www.P65Warnings.ca.gov

Retain a copy of your receipt for your unit, as it will be required to validate any warranty service
Products are warranted against manufacturer or workmanship defects for one year from date of purchase for home owner usage and 90 days for commercial usage.

For technical assistance, visit our website @ www.agspray.com or call: Toll Free to one of the above phone numbers
Our Technical Support Representatives will be happy to help you.
To obtain prompt, efficient service, always remember to give the following information...

- Correct Part Description and/or part number
 - Model #/Serial # of your sprayer

Part descriptions and numbers can be obtained from the illustrated parts list section(s) of this manual.

IMPORTANT: Remove tank lid and be sure the tank is clean and free of any foreign material. Rinse tank out of any tank residue before filling with water to test.

Testing the Sprayer

NOTE: It is important that you test your sprayer for leakage and proper spray patterns with plain water before chemical application is attempted. This will also give you the opportunity to familiarize yourself with the operation of the sprayer.

Conditions of weather and terrain must be considered when setting the sprayer. Do not spray on windy days. Protective clothing must be worn in some cases

Be sure to read the chemical label(s) before application!

Operation

The pumping system draws solution from the tank, through the strainer and to the pump. The pump forces the solution under pressure to the handgun.

Connect the lead wire to a fully charged 12 volt battery. You may use either a stand-alone battery or the battery on your towing vehicle. Connect to the positive (red) terminal first, then connect to the negative (black) terminal. Then connect the end of the lead wire to the end of the pump. When disconnecting, disconnect the end of the pump wire from the lead wire, then disconnect the negative (black) connection and finally the positive (red) connection. The lead wire has an On/Off switch to activate the pump. "-" is on and "O" is off.

Fill the tank part way with water and then add the desired amount of chemical to be sprayed. Finish filling tank to proper level. equipped with an internal bypass valve with a factory set pressure limit. When the system pressure hits the limit, the valve will open and circulate fluid internally to relieve excess pressure. The motor will continue to run until the pump is shut off with the manual switch located in the lead wire or the pump is disconnected from the power source.

Maintenance During/After Spraying

Periodically check the strainer and clean the screen on your intake line.

Proper care and maintenance will prolong the life of your sprayer.

After use, drain the tank and store or dispose of chemical properly. Fill the sprayer half way with clean water. Start the pump and allow the water to pump through the entire plumbing system and nozzles. Drain and then refill half full, add the recommended amount of a good quality tank cleaner, such as FIMCO Tank Neutralizer and Cleaner. (If no tank cleaner is available, you may substitute dish soap for this step, about 1-2 oz. per gallon). Turn pump on and circulate through system for 15 minutes and then spray out through handgun nozzle. Refill sprayer half way with clean water and repeat. Follow the chemical manufacturer's disposal instructions of all wash or rinsing water.

If handgun nozzle needs cleaning, remove from the sprayer and soak in warm soapy water. Clean with a soft bristled brush or toothpick if necessary. Never use a metal object. Even the slightest damage can change the flow rate and spray distribution. Water rinse and dry the tips before storing.

WARNING: Some chemicals will damage the pump valves if allowed to soak untreated for a length of time! ALWAYS flush the pump as instructed after each use. DO NOT allow chemicals to sit in the pump for extended times of idleness. Follow the chemical manufacturer's instructions on disposal of all waste water from the sprayer.

Winter Storage

Prepare the sprayer for end-of-season storage by running RV antifreeze through the system. This will keep internal parts lubricated, protect against corrosion and keep the unit from freezing. *Note: RV antifreeze is non-toxic and biodegradable and generally safer for the environment than automotive antifreeze.*

Before storing your sprayer for winter or long term storage, thoroughly clean and drain it as much as possible. Then pour enough pink RV antifreeze into the tank so that when the pump is turned on you can pump the antifreeze throughout the entire plumbing system, including the bypass. Make sure to operate the handgun until you see pink fluid spraying from the nozzle. Leave any remaining antifreeze in the tank. Before your next usage, rinse the antifreeze from the sprayer with clean water.

It is nearly impossible to drain all of the water from the sprayer and any trapped water can freeze in cold weather and damage parts of the sprayer. Pumping the antifreeze through the system will displace the water and help prevent this damage.

Removing from storage: drain the antifreeze. Fill the tank with fresh water and run through the system. Dispose of antifreeze and flush water properly.

DO

- Clean and rinse your pump after each use with Fimco Tank Neutralizer
- Winterize your pump or sprayer by rinsing, draining and running RV Antifreeze through it before storing for the winter.
- Use clean water for your spray mixture
- Store inside a building when not in use.

DON'T

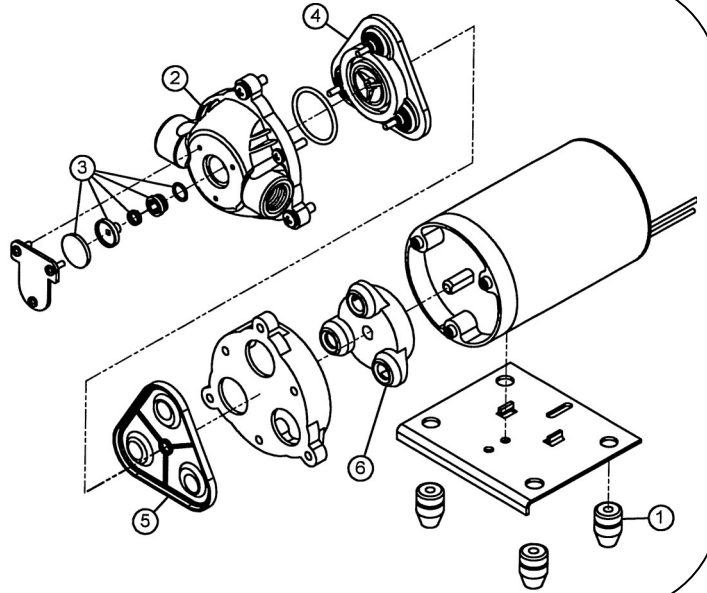
- Use to pump bleach.
- Use to pump petroleum products, such as diesel fuel, gasoline or kerosene
- Leave your pump sit with spray mixture in it for extended periods
- Use dirty or unfiltered water for spraying

STOP WARNING STOP

DO NOT USE PUMP IN AN EXPLOSIVE ENVIRONMENT. DO NOT USE TO PUMP FLAMMABLE/COMBUSTIBLE FLUIDS, GASOLINE, KEROSENE, FUEL, OIL, ETC.

Exploded View/Parts List: SHURflo Pump (Model: 8000-543-250)

Ref. #	Part #	Description
1	5075019	Grommets (Pkg/4)
2	5084089	Upper Housing
3	5168759	Check Valve Kit
4	5168760	Valve Assembly Kit
5	5168761	Diaphragm
6	5168762	Drive Assembly



Troubleshooting the Pump:

Motor does not run:

- Check for loose wiring connection(s).
- Make sure the 'ON/OFF' switch in the lead wire assembly is in the 'ON' position. "I" is the 'ON' position and 'O' is the 'OFF' position.
- Check the fuse.
- Check for low voltage at the power supply.

Pump does not prime:

- Check for air leaks in supply line.
- Check for debris in the check valve assembly.
- Check for defective check valve.
- Check for clogged strainer/filter.
- Check for cracks in the pump housing.
- Check for empty product supply.

Low Pressure/Low Flow:

- Check for leaks in the discharge line.
- Check for restriction in the discharge line.
- Check for debris in nozzle orifice.
- Discharge hose may be too long.
- Check for clogged strainer.
- Check for proper voltage—try another 12-volt battery.

Pulsating flow (surging):

- Low flow may cause pump to surge.
- Spray wand is adjusted for a small or fine spray pattern.
- Slightly open bypass (if applicable) to overcome.
- Check for leaks in the discharge line.
- Check for restriction in the discharge line.
- Check for debris in nozzle orifice.
- Discharge hose may be too long.
- Check for clogged strainer.

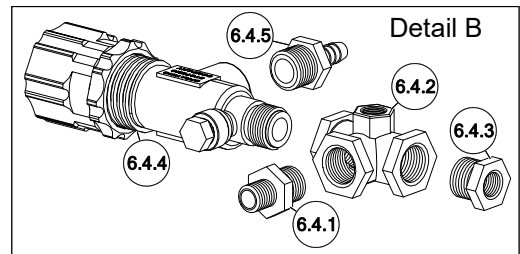
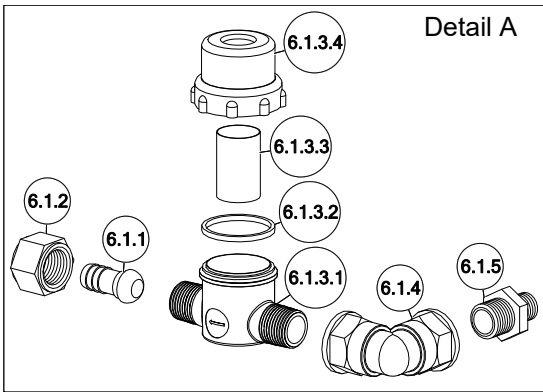
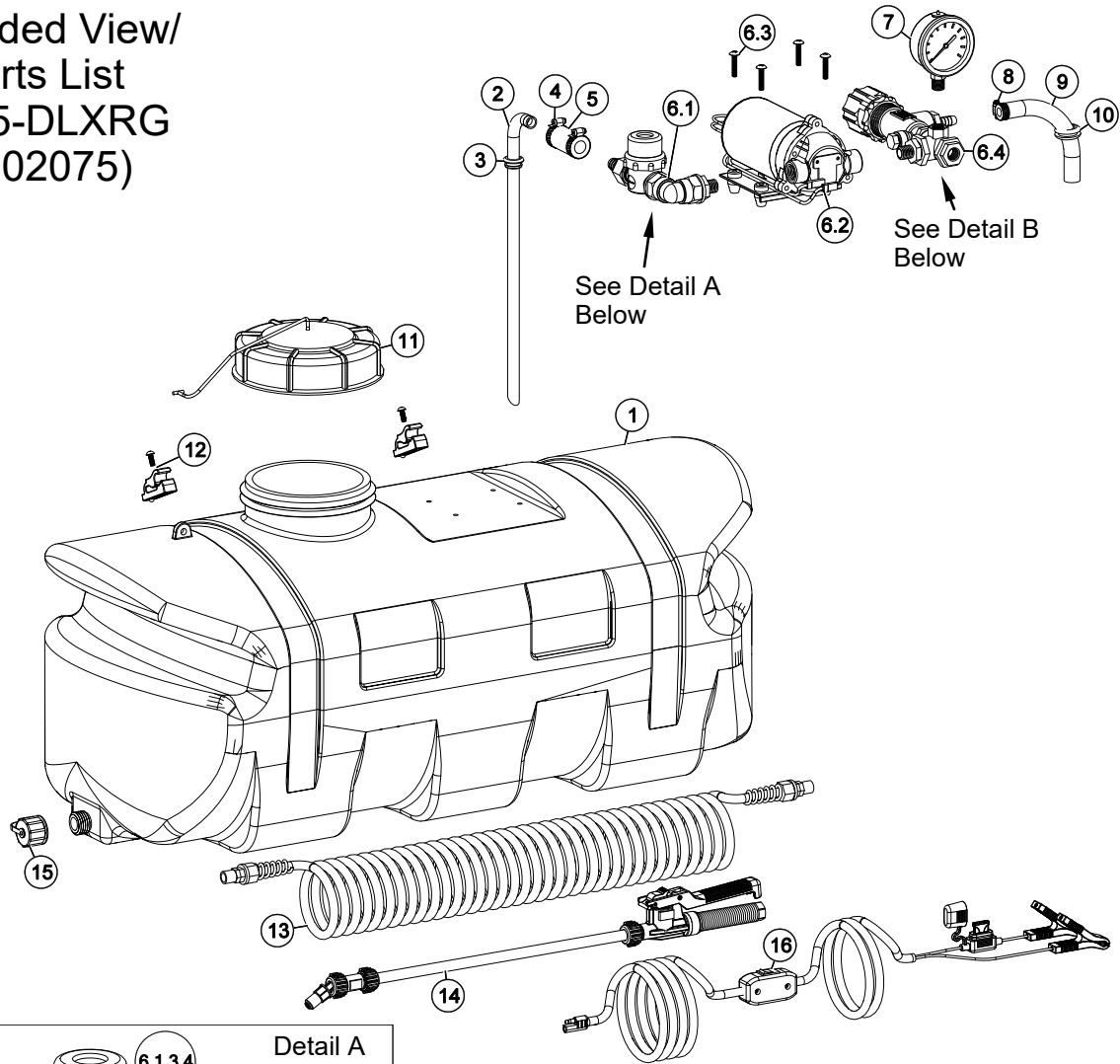
Motor continues to run after discharge is shut off:

- Check for empty product supply.
- Check for open bypass valve. (if equipped)
- Check for low voltage.
- Check for leak in discharge line.
- System has leaks.

Fuse blows:

- Excessive voltage.
- Damaged or defective wiring harness.

Exploded View/ Parts List AG15-DLXRG (5302075)

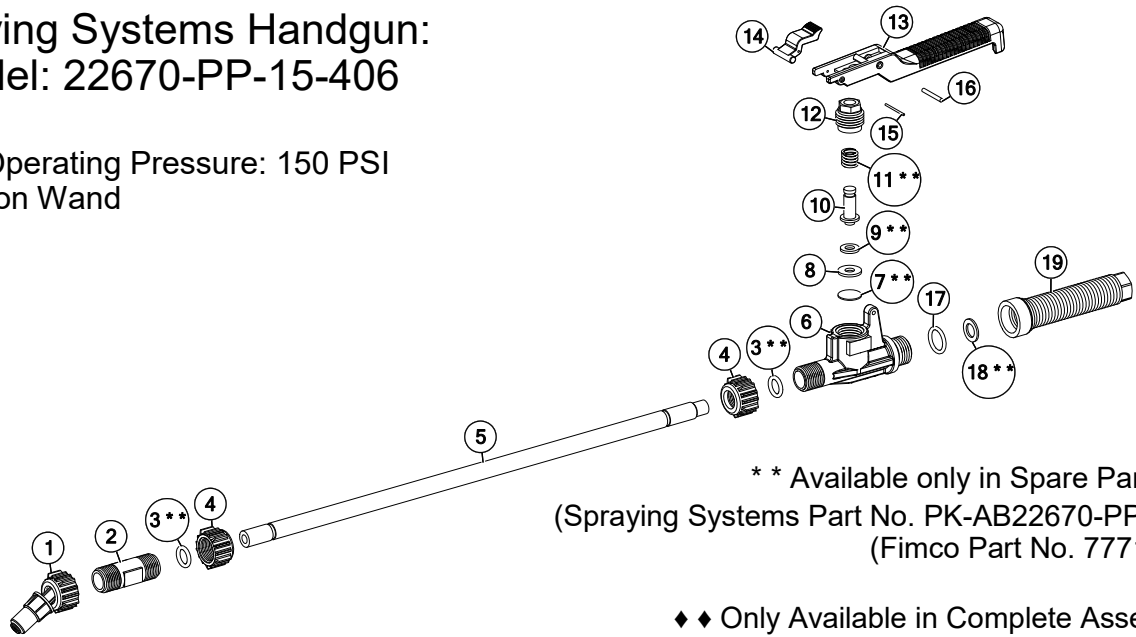


Ref. #	Part #	Description	Qty
1	TA15Y	15 Gallon Tank (Yellow)	1
2	5100531	Intake Tube 1/2" O.D. x 13 1/4" (15 Gal.)	1
3	5075018	Grommet, 1/2" I.D.	1
4	5051114	Hose Clamp (1/2")	2
5	5020494	Hose, 1/2"-1 Brd. x 2"	1
6	5277243	Pump & Plumbing	1
6.1	5277013	Pump Suction Assembly	1
6.1.1	5149155	1/2" Swivel Hose Barb - Black Poly	1
6.1.2	5006388	1/2" FNPT Swivel Nut - Black Poly	1
6.1.3	5116417	Poly Inline Strainer 1/2" MNPT	1
6.1.3.1	5046451	Poly Strainer Cap	1
6.1.3.2	5072533	Strainer O-Ring	1
6.1.3.3	5116452	Strainer Screen	1
6.1.3.4	5058205	Clear Strainer Bowl	1
6.1.4	5010236	Poly Elbow, 1/2" FNPT x 1/2" FNPT	1
6.1.5	5011145	Poly Reducing Nipple, 1/2" MNPT x 3/8" MNPT	1
6.2	8000-543-250	SHURflo Pump; 12V, 45psi, 1.4gpm, Bypass	1
6.3	5117168	#10-24 x 1" Phillips Truss Head Mach. Screw	4

Ref. #	Part #	Description	Qty
6.4	5277241	Plumbing Bypass Assembly	1
6.4.1	5011145	Poly Reducing Nipple, 1/2" MNPT x 3/8" MNPT	1
6.4.2	5010256	Poly Tee, 1/2" FNPT w/1/4" Port (Gauge)	1
6.4.3	5041073	Poly Reducing Bushing, 1/2" MNPT x 1/4" FNPT	1
6.4.4	5143200	Pressure Relief Valve (1/2" NPT)	1
6.4.5	5067130	Poly Fitting, 1/2" MNPT x 3/8" HB	1
7	5167031	Gauge, Liquid-Filled, 0-100 PSI	1
8	5051144	Hose Clamp (3/8")	1
9	5020532	Hose, 3/8"-1 Brd. x 7 1/4"	1
10	5075022	Grommet (5/8" I.D.)	1
11	5058188	Tank Lid w/Lanyard	1
12	5278348	Deluxe Wand Clips & Screws (Pkg/2) (#10-24 Thread)	1
13	PU1425	25 Ft. Coiled Hose 3/8" O.D. x 1/4" I.D. x 1/4 MPT	1
14	5163034	TriggerJet Spray Gun	1
15	5274373	Drain Plug Cap, Tether & Washer Assembly	1
16	5277040	Lead Wire Assembly (14 ga, w/Switch), 120"	1
16.1	5157238	15 Amp Regular Blade Fuse	1

Spraying Systems Handgun: Model: 22670-PP-15-406

- Maximum Operating Pressure: 150 PSI
- 15" Extension Wand



** Available only in Spare Parts Kit
(Spraying Systems Part No. PK-AB22670-PP-KIT)
(Fimco Part No. 7771187)

◆◆ Only Available in Complete Assembly

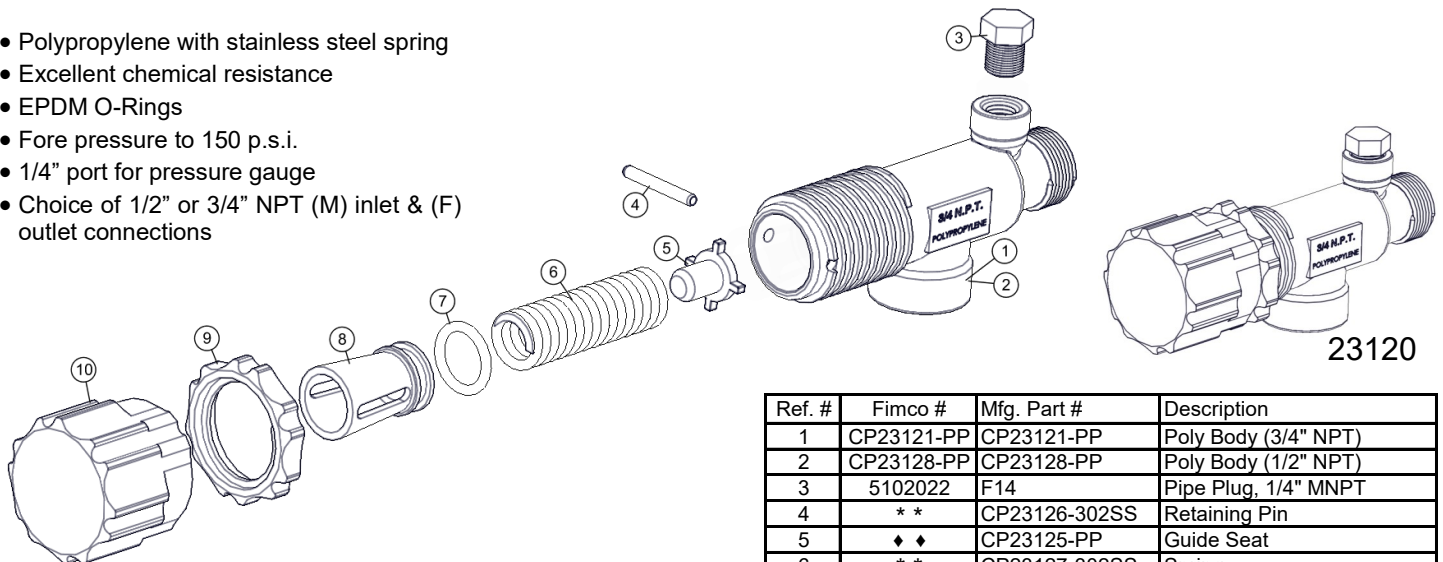
Ref. #	Part #	Description	Qty
1	5018312	Adjustable Conejet Tip (X8)	1
1.1	◆◆	Adjustable Tip (X8)	1
1.2	CP7717-5-EPR	O-Ring	1
1.3	CP38722-1-PP	Core (Poly)	1
1.4	5046122	Cap, Polypro, AA30-PP	1
2	5005188	Adapter (22670 Handgun)	1
3 **	5072307	O-Ring (Viton)	2
4	5046122	Cap, Polypro, AA30-PP	2
5	5065039	Extension Tube (15") (22670 Handgun)	1
6	◆◆	Body, Polypro (22650)	1
7 **	5063134	Diaphragm (Viton)	1
8	◆◆	Washer (Polypropylene)	1

Ref. #	Part #	Description	Qty
9 **	5072415	Gasket (Neoprene)	1
10	5132054	Stem (Gray Nylon)	1
11 **	5019152	Spring, Type 17-7PH (S.S.)	1
12	◆◆	Spring Retainer	1
13	5092007	Trigger	1
14	◆◆	Trigger Lock (22650)	1
15	◆◆	Groove Pin	1
16	5101130	Groove Pin	1
17	5072306	O-Ring (Viton)	1
18 **	CP39334-VI	Gasket (Viton)	1
19	22650-PP-14	TeeJet Handle with 1/4 FPT	1

Piston Type Pressure Relief/Regulating Valves

Bypasses excess fluid. Adjustable to maintain control of line pressure at any pressure within the valve operating range. Selected pressure setting firmly held in place by locknut. Extra large passages to handle large flows.

- Polypropylene with stainless steel spring
- Excellent chemical resistance
- EPDM O-Rings
- Fore pressure to 150 p.s.i.
- 1/4" port for pressure gauge
- Choice of 1/2" or 3/4" NPT (M) inlet & (F) outlet connections



Fimco #	Mfg. Part #	Description
5143199	23120-3/4-PP	Pressure Relief Valve (3/4" NPT)
5143200	23120-1/2-PP	Pressure Relief Valve (1/2" NPT)
5168717	PK-AB23120-KIT	Repair Kit, Items Marked **

Ref. #	Fimco #	Mfg. Part #	Description
1	CP23121-PP	CP23121-PP	Poly Body (3/4" NPT)
2	CP23128-PP	CP23128-PP	Poly Body (1/2" NPT)
3	5102022	F14	Pipe Plug, 1/4" MNPT
4	**	CP23126-302SS	Retaining Pin
5	◆◆	CP23125-PP	Guide Seat
6	**	CP23127-302SS	Spring
7	**	CP7717-15-EPR	O-Ring, EPDM Rubber
8	◆◆	CP23124-PP	Spring Retainer
9	5110266	CP23123-PP	Lock Ring
10	5046270	CP23122-NY	Adjusting Cap, Nylon (Gray)

** Available only in Repair Kit
◆◆: Only Available in Complete Assembly

Warranty

LIMITED WARRANTY FOR NEW AG SPRAY EQUIPMENT

WHO MAY USE THIS LIMITED WARRANTY. This limited warranty (the "Limited Warranty") is provided by Ag Spray Equipment to the original purchaser ("you") of the Equipment (as defined below) from Ag Spray Equipment or one of Ag Spray Equipment's authorized dealers. This Limited Warranty does not apply to any subsequent owner or other transferee of the Equipment. THIS LIMITED WARRANTY GIVES YOU SPECIFIC LEGAL RIGHTS, AND YOU MAY ALSO HAVE OTHER RIGHTS WHICH VARY FROM STATE TO STATE.

WHAT THIS LIMITED WARRANTY COVERS AND FOR HOW LONG. Ag Spray Equipment warrants that any new Equipment will be free from defects in material and workmanship for a period of **one (1) year** (homeowner), **90 days** (commercial user), after delivery of the Equipment to you (the "Warranty Period"). The Warranty Period is not extended if Ag Spray Equipment repairs or replaces the Equipment.

WHAT IS NOT COVERED BY THIS LIMITED WARRANTY. This Limited Warranty does not apply to: (1) used Equipment; (2) any Equipment that has been altered, changed, repaired or treated since its delivery to you, other than by Ag Spray Equipment or its authorized dealers; (3) damage or depreciation due to normal wear and tear; (4) defects or damage due to failure to follow Ag Spray Equipment's operator's manual, specifications or other written instructions, or improper storage, operation, maintenance, application or installation of parts; (5) defects or damage due to misuse, accident or neglect, "acts of God" or other events beyond Ag Spray Equipment's reasonable control; (6) accessories, attachments, tools or parts that were not manufactured by Ag Spray Equipment, whether or not sold or operated with the Equipment; or (7) rubber parts, such as tires, hoses and grommets.

HOW TO OBTAIN WARRANTY SERVICE. To obtain warranty service under this Limited Warranty, you must (1) provide written notice to Ag Spray Equipment of the defect during the Warranty Period and within **thirty (30)** days after the defect becomes apparent or the repair becomes necessary, at the following address: Ag Spray Equipment, 1000 Fimco Lane, North Sioux City, SD 57049; and (2) make the Equipment available to Ag Spray Equipment or an authorized dealer within a reasonable period of time. For more information about this Limited Warranty, please call: **800-274-1025** or your local Ag Spray location.

WHAT REMEDIES ARE AVAILABLE UNDER THIS LIMITED WARRANTY. If the conditions set forth above are fulfilled and the Equipment or any part thereof is found to be defective, Ag Spray Equipment shall, at its own cost, and at its option, either repair or replace the defective Equipment or part. Ag Spray Equipment will pay for shipping and handling fees to return the repaired or replacement Equipment or part to you.

LIMITATION OF IMPLIED WARRANTIES AND OTHER REMEDIES. THE REMEDIES DESCRIBED ABOVE ARE YOUR SOLE AND EXCLUSIVE REMEDIES, AND AG SPRAY EQUIPMENT'S SOLE LIABILITY, FOR ANY BREACH OF THIS LIMITED WARRANTY. TO THE EXTENT APPLICABLE, ANY IMPLIED WARRANTIES, INCLUDING, WITHOUT LIMITATION, THE IMPLIED WARRANTIES OF MERCHANTABILITY AND FITNESS FOR A PARTICULAR PURPOSE, SHALL BE LIMITED IN DURATION TO THE WARRANTY PERIOD, AND THE REMEDIES AVAILABLE FOR BREACH THEREOF SHALL BE LIMITED TO THE REMEDIES AVAILABLE UNDER THIS EXPRESS LIMITED WARRANTY. SOME STATES DO NOT ALLOW LIMITATIONS ON HOW LONG AN IMPLIED WARRANTY LASTS, SO THE ABOVE LIMITATION MAY NOT APPLY TO YOU. IN NO EVENT SHALL AG SPRAY EQUIPMENT'S LIABILITY UNDER THIS LIMITED WARRANTY EXCEED THE ACTUAL AMOUNT PAID BY YOU FOR THE DEFECTIVE EQUIPMENT, NOR SHALL AG SPRAY EQUIPMENT BE LIABLE, UNDER ANY CIRCUMSTANCES, FOR ANY CONSEQUENTIAL, INCIDENTAL, SPECIAL OR PUNITIVE DAMAGES OR LOSSES, WHETHER DIRECT OR INDIRECT. SOME STATES DO NOT ALLOW THE EXCLUSION OR LIMITATION OF INCIDENTAL OR CONSEQUENTIAL DAMAGES, SO THE ABOVE LIMITATION OR EXCLUSION MAY NOT APPLY TO YOU.