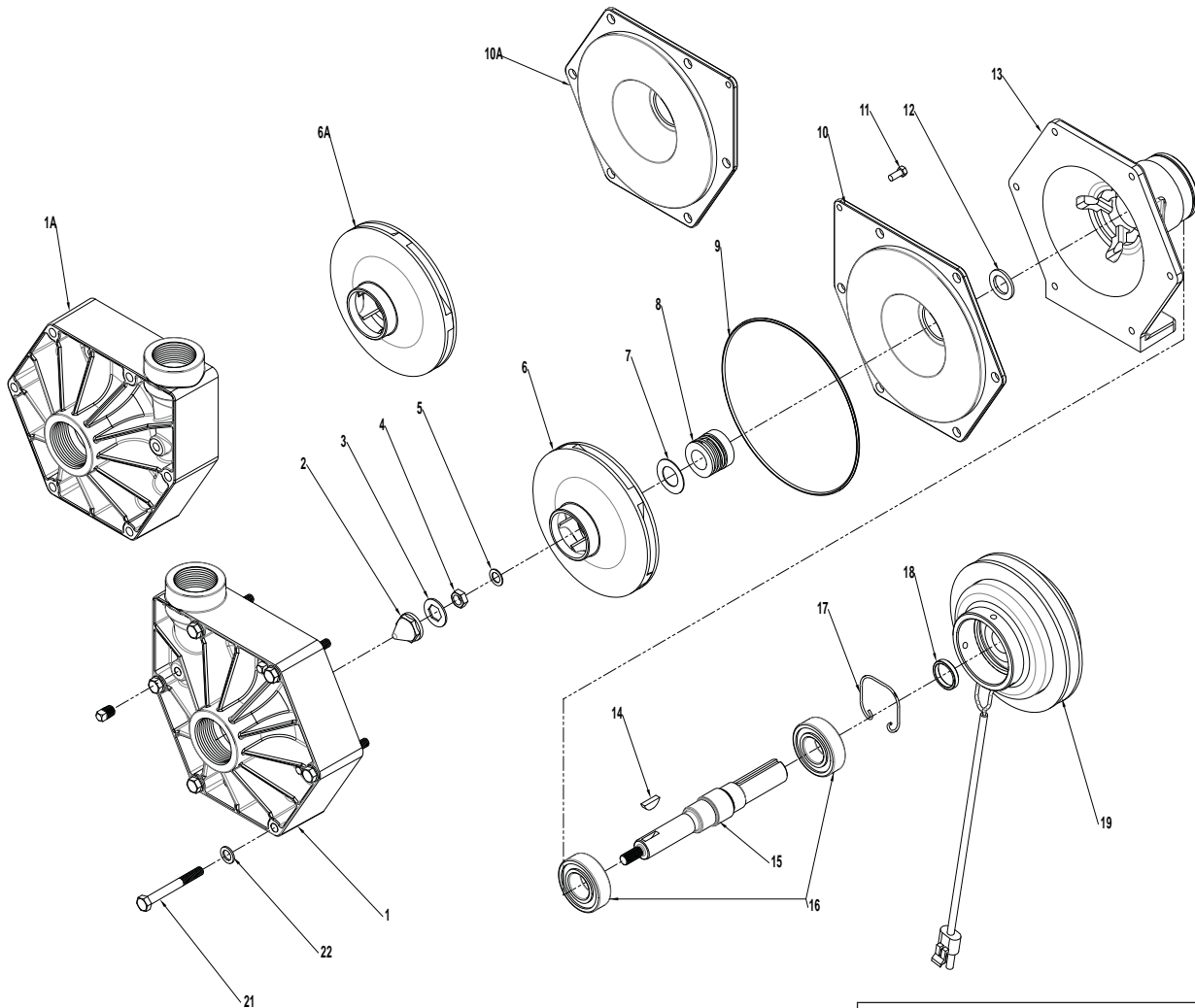


Replacement Parts

The following drawings show the pumps and their replacement parts. **Only genuine replacement parts should be used, failure to follow this warning can result in damage to property, serious injury or death.** If the pump malfunctions or is defective it should be sent back to Hypro for service.

9260P-C & 9260P-R



Seal Kit for All Models

No. 3430-0333 consists of:

- (1) Ref. 7 Gasket
- (1) Ref. 8 Mechanical Seal
- (1) Ref. 9 O-Ring
- (1) Ref. 22 Washer
- (1) Ref. 3 Gasket

Silicon Carbide Kit All Models

No. 3430-0590 consists of:

- (1) Ref. 8 Mechanical Seal
- (1) Ref. 9 O-Ring
- (1) Ref. 22 Washer
- (3) Ref. 3 Gasket

NOTE: When ordering parts, give QUANTITY, PART NUMBER, DESCRIPTION, and COMPLETE MODEL NUMBER. Reference number are used ONLY to identify part in the drawing and are NOT to be used as order numbers.

Ref. No.	Qty. Req'd.	Part No.	Description
1	1	0700-9000P	Pump Casting
1A	1	0701-9500P	Pump Casting (9260P-R)
2	1	2250-0052	Seal Nut
3	1	1700-0097	Gasket
4	1	2250-0051	Nut-Jam
5	1	2270-0057	Washer
6	1	0403-9000P	Impeller
6A	1	0402-9000P	Impeller (9260P-R)
7	1	1700-0101	Gasket
8	1	2120-0011	Mechanical Seal
9	1	1721-0083	O-Ring
10	1	0750-9000P	Cover-Back
10A	1	0700-9500P	Cover-Back (9260P-R)

Ref. No.	Qty. Req'd.	Part No.	Description
11	1	2210-0088	Screw
12	1	1410-0083	Slinger Ring
13	1	0702-9200C	Mounting Ring
14	1	04432-SHW	Key
15	1	3430-0846	Shaft
16	2	2008-0001	Bearing
17	1	1820-0025	Retaining Ring
18	1	1410-0101	Spacers
19	1	2526-0011	Clutch
20	4	2406-0016	Drain Plug
21	6	2210-0087	Screw
22	6	2270-0041	Washer