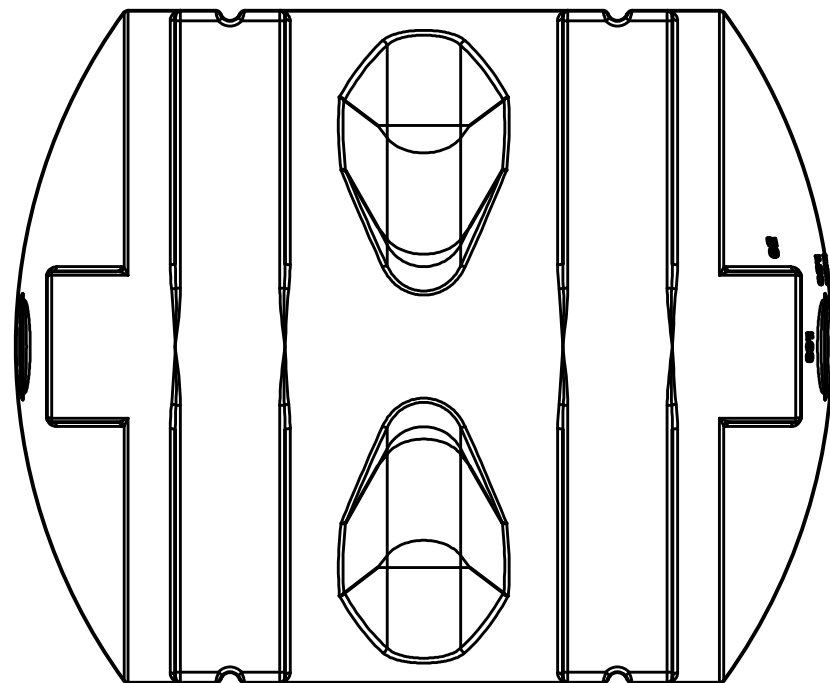

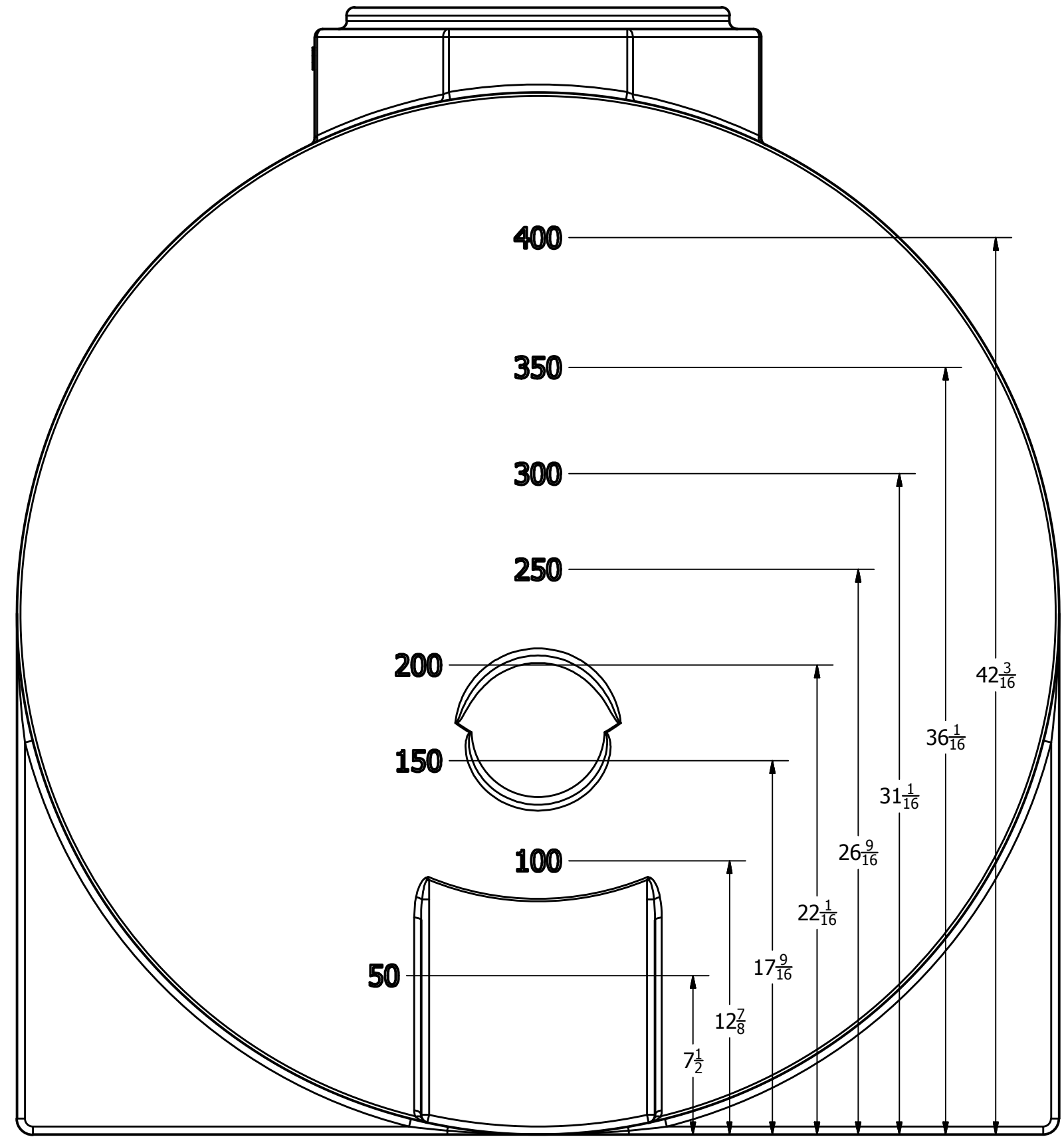



SECTION A-A
SCALE 1:14



REVISION HISTORY			
REV	DESCRIPTION	DATE	AUTHOR
A	REDRAWN	7/17/2013	Michael Holden
DRAWN	Jerry Paulson	7/10/2001	 NORWESCO, INC. SAINT BONIFACIUS, MN TITLE 425 GALLON HORIZONTAL TANK
CHECKED			
QA			
MFG			
APPROVED			
SIZE	B	DWG NO	REV A
SCALE: 1/16		SHEET 1 OF 2	



DRAWN Jerry Paulson	7/10/2001	 NORWESCO NORWESCO, INC. SAINT BONIFACIUS, MN		
CHECKED		TITLE		
QA		425 GALLON HORIZONTAL TANK		
MFG				
APPROVED				
		SIZE B	DWG NO	REV A
		SCALE: 1/16	SHEET 2 OF 2	