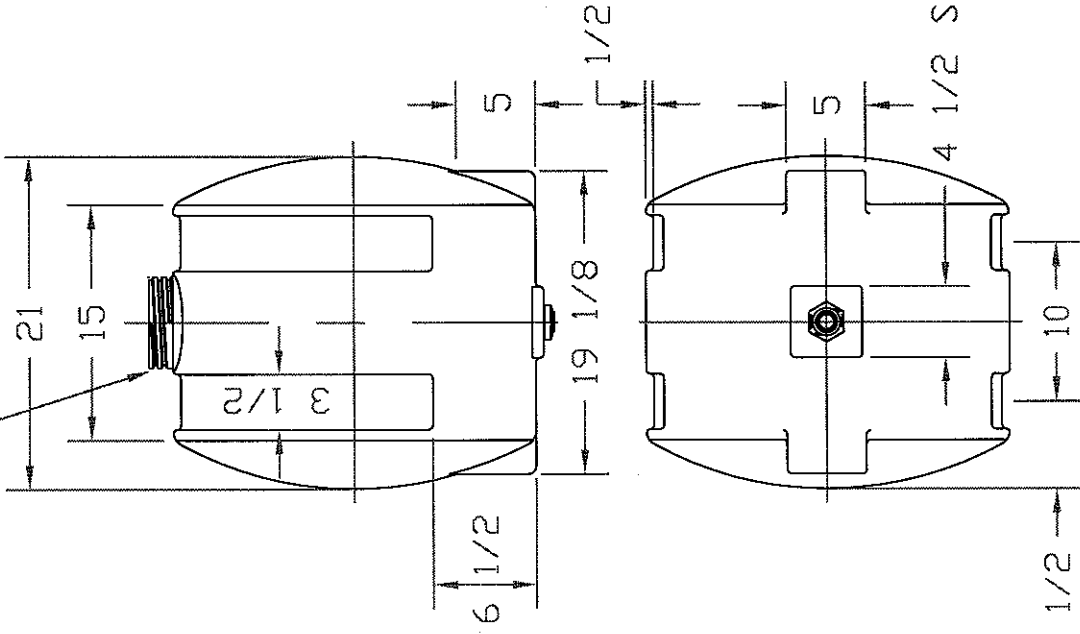
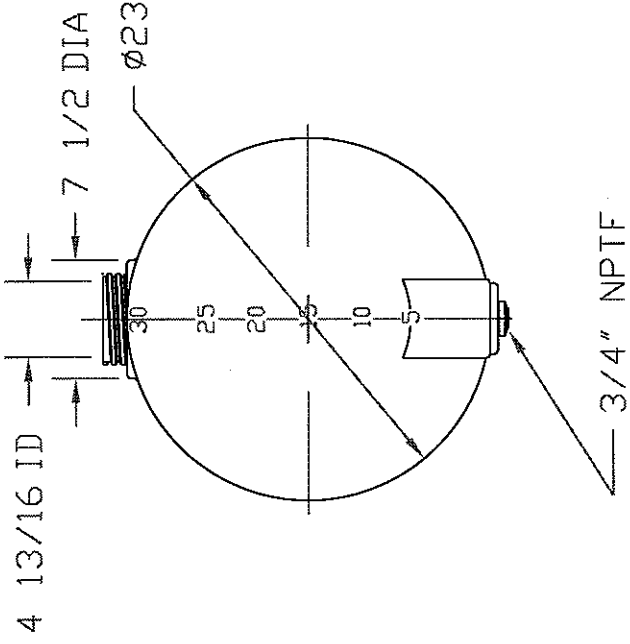


ACME THREAD
 5-3/4 MAJOR DIA
 5-3/8 MINOR DIA
 9/16 PITCH



4 1 1/2 SQUARE

REVISIONS				
ZONE	REV	DESCRIPTION	DATE	APPROVED
	A	REDRAWN	25AUG97	
	B	LID THREAD REVISED	09FEB00	



18.0
14.9
11.5
8.1
5.0
0

NORWESCO
 ST. BONIFACIUS, MN

30 GALLON APPLICATOR
 TANK

JTP	25AUG97	SIZE	FSCM NO.	DWG NO.	REV
		A			B
SCALE 1/12				SHEET	