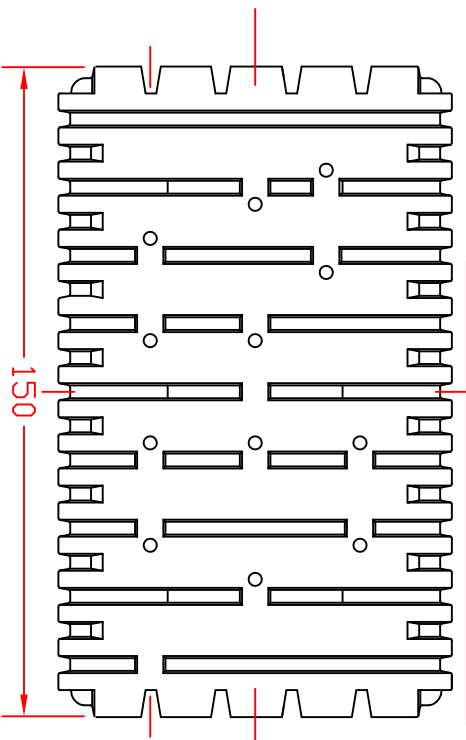
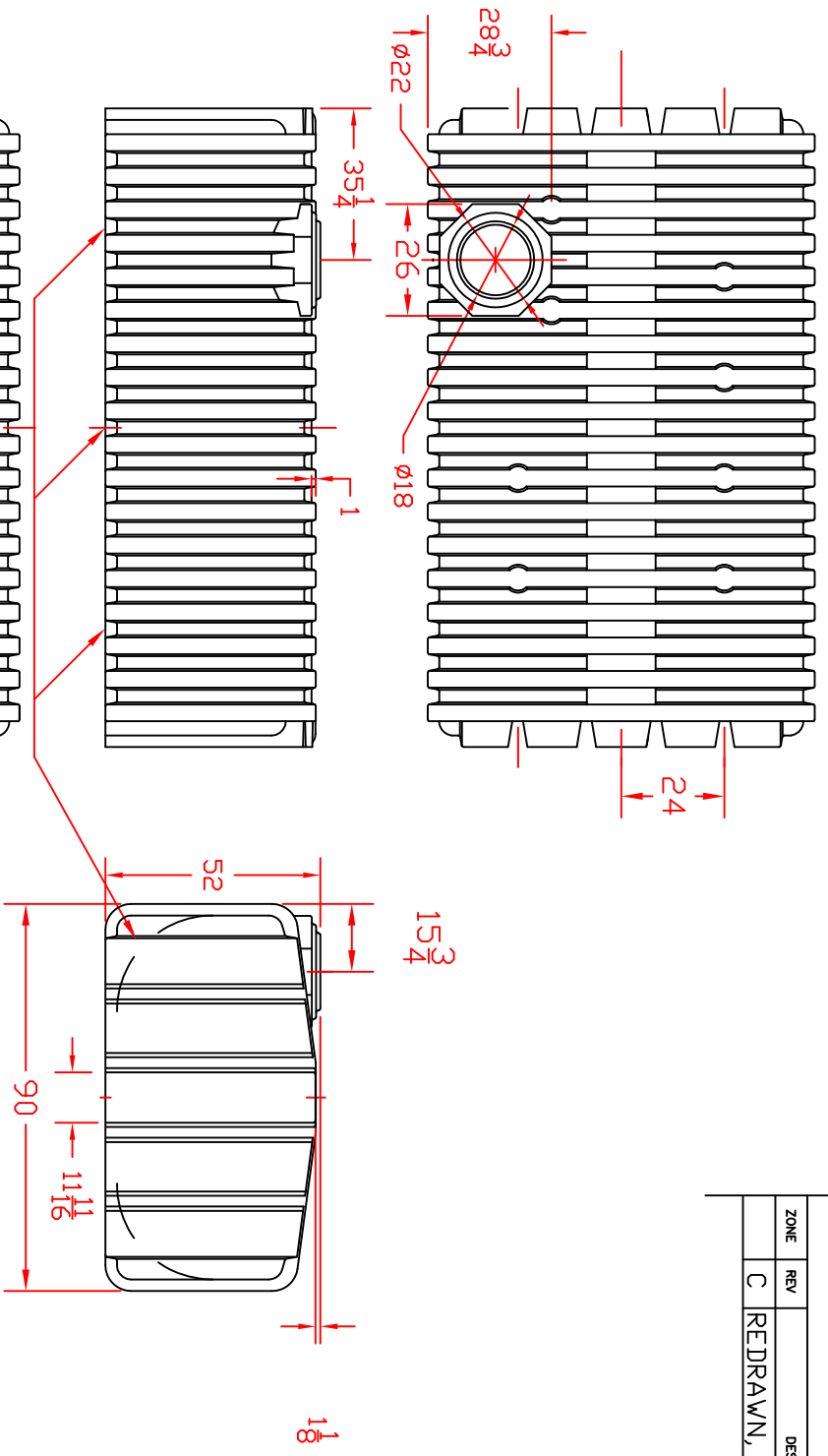


REVISIONS				
ZONE	REV	DESCRIPTION	DATE	APPROVED
C	REDRAWN,	ENDS REV'D	30APR02	



		ST. BONIFACIUS, MN	
2400 GALLON		HORIZONTAL TANK	
JTP	30APR02	SIZE	B
SCALE 1/32		DWG NO.	REV
SHEET		C	