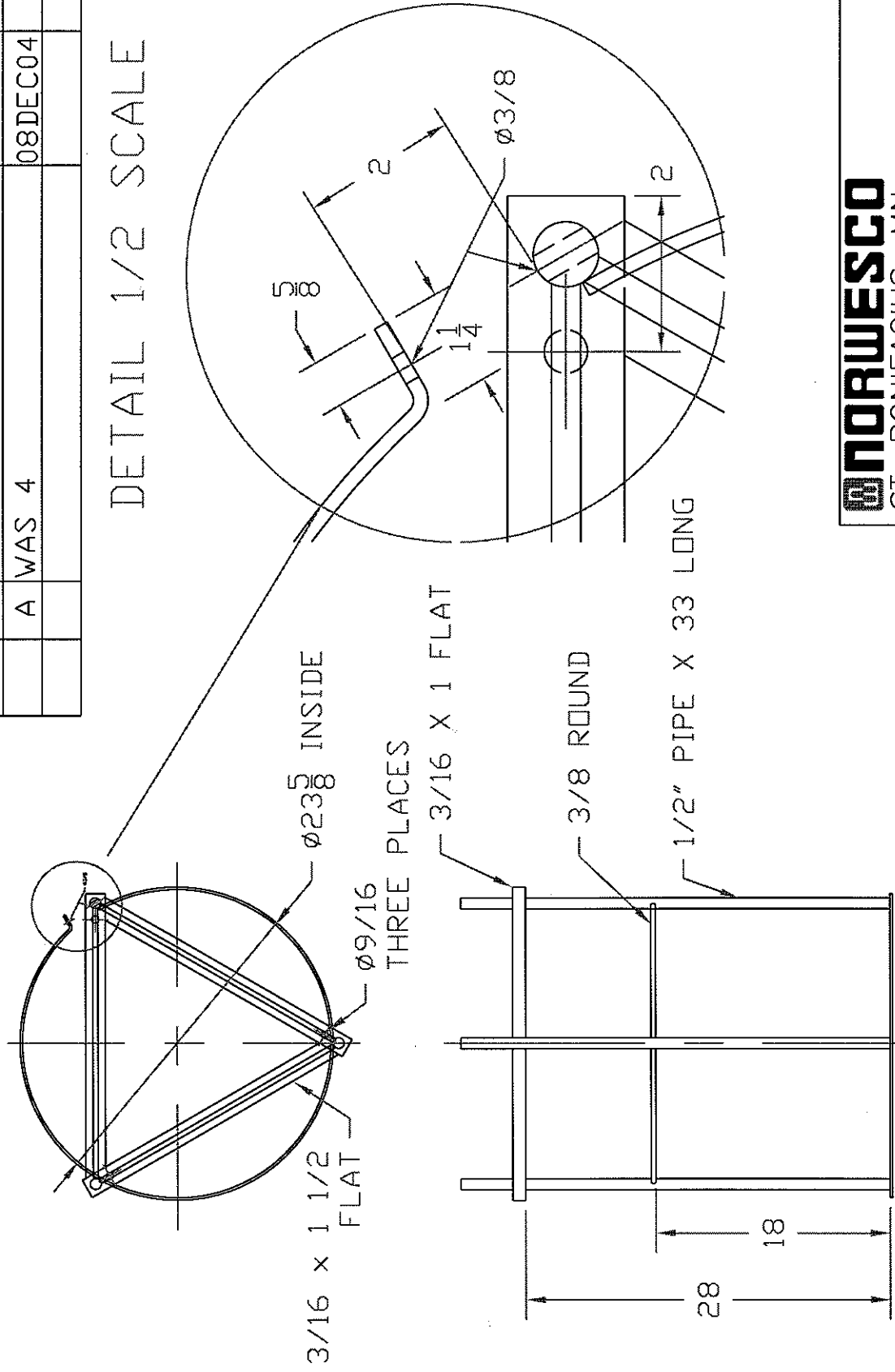


REVISIONS			
ZONE	REV	DESCRIPTION	DATE
	A	WAS 4	08DEC04

DETAIL 1/2 SCALE



NOTE: ASSEMBLY INCLUDES 5/16 X 4-1/2 HHCS, LW & NUT
 (A)

NORWESCO
 ST. BONIFACIUS, MN

INDUCTOR STAND
 24 DIAMETER TANKS

JTP	14OCT04	SIZE	FSCM NO.	DWG NO.	REV
		A			A
SCALE 1/12				SHEET	