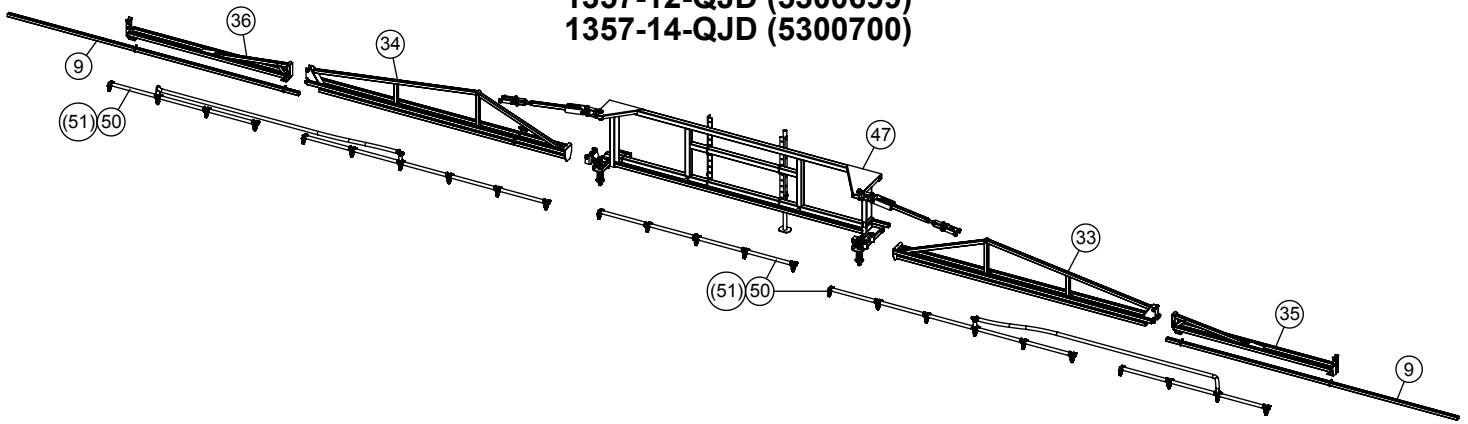


Models:
1357-12-QJD (5300699)
1357-14-QJD (5300700)



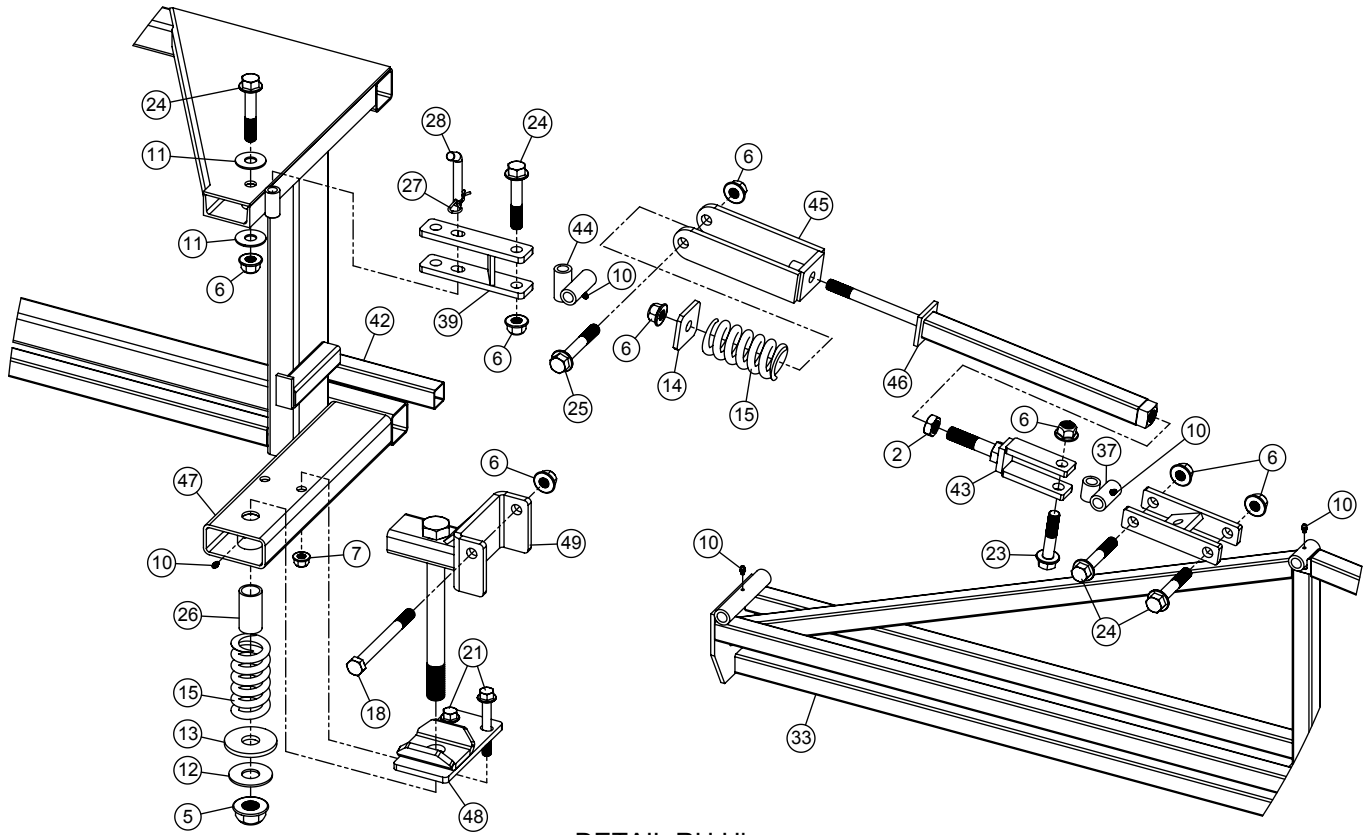
Item No	Part Number	1357-12-QJD/QTY.	1357-14-QJD/QTY.	Description
1	5006259	12	12	3/8"-16nc Hex Flanged Whiz Nut Gr. 5
2	5006260	2	2	3/4"-10 Hex Jam Nut
3	5006307	12	12	5/16"-18nc Hex Flanged Whiz Nut Gr. 5
4	5006337	4	4	1/2"-13nc Hex Flanged Whiz Nut Gr. 5
5	5006363	2	2	1"-8nc Hex Flanged Toplock Nut Gr. 8
6	5006364	16	16	5/8"-11nc Hex Flanged Toplock Nut Gr. 8
7	5006365	6	6	1/2"-13nc Hex Flanged Toplock Nut Gr. 8
8	5006366	2	2	3/8"-16nc Hex Flanged Toplock Nut Gr. 8
9	5009228	2	2	Boom Tube (120")
10	5012003	16	16	Grease Zerk, 3/16" Straight Drive
11	5016053	4	4	Flatwasher, 5/8"
12	5016198	2	2	Thrust Washer (1")
13	5016200	2	2	Spring Retainer Washer
14	5016252	2	2	Spring Washer
15	5019157	4	4	Compression Spring
16	5034159	6	6	Square U-Bolt, 5/16" x 1 5/16" x 1 7/8"
17	5034188	6	6	Square U-Bolt, 3/8" Dia. x 2 1/8" x 2 7/8"
18	5034222	2	2	H.H.C.S., 5/8"-11 x 6 1/2"
19	5034666	2	2	H.H.C.S. Flanged 3/8"-16nc x2 1/4" Long
20	5034692	8	8	H.H.C.S. Flanged 1/2"-13nc x 1 1/2" Long
21	5034699	4	4	H.H.C.S. Flanged 1/2"-13nc x 3-3/4" Long
22	5034700	2	2	H.H.C.S. Flanged 1/2"-13nc x 3 1/2" Long
23	5034724	2	2	H.H.C.S. Flanged 5/8"-11nc x 3" Long
24	5034726	8	8	H.H.C.S. Flanged 5/8"-11nc x 3 1/2" Long
25	5034728	2	2	H.H.C.S. Flanged 5/8"-11nc x 4" Long
26	5077036	2	2	Spring Guide
27	5101065	5	5	#211 Hitch Pin Clip (Zinc Plated)
28	5101202	5	5	Bent Clevis Pin (1/2" Dia.)
29	5117104	1	1	1/2"-13 x 1 1/2" Sq. Head Set Screw
30	5144030	2	2	Upright
31	5271998	1	1	Stand Sleeve Weldment
32	5271999	1	1	Stand Weldment
33	5272624	1	1	Wing Boom Weldment (R.H.)
34	5272625	1	1	Wing Boom Weldment (L.H.)
35	5272626	1	1	Outer Boom Weldment (R.H.)
36	5272627	1	1	Outer Boom Weldment (L.H.)
37	5272630	2	2	Trunion Weldment
38	5272632	1	1	Boom Retainer Weldment
39	5272633	2	2	Pivot Arm Weldment
40	5272634	2	2	Attaching Bracket Weldment
41	5272635	1	1	Hinge Nozzle Tube Weldment (L.H.)
42	5272636	1	1	Hinge Nozzle Tube Weldment (R.H.)
43	5272637	2	2	Adjustable Clevis Weldment
44	5273118	2	2	Boom Support Trunion Weldment
45	5273119	2	2	Spring Bracket Weldment
46	5273120	2	2	Boom Support Weldment
47	5273733	1	1	Center Frame Weldment (1357 Boom)
48	5273734	2	2	Lower Pivot Clevis Weldment
49	5273735	2	2	Upper Pivot Clevis Weldment
50	5300358	1	-	Complete 1357-12-QJD Nozzle Harness Assembly
51	5300359	-	1	Complete 1357-14-QJD Nozzle Harness Assembly

Winter Storage

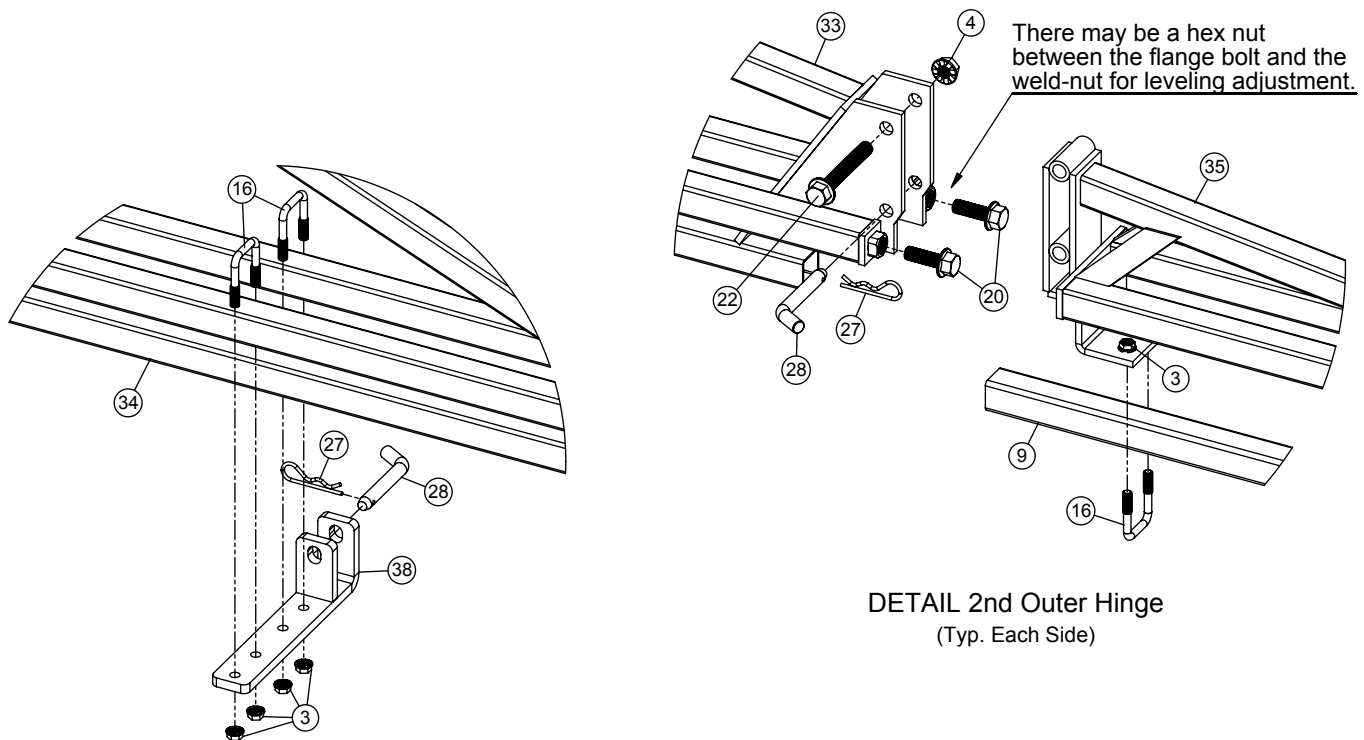
Drain all water out of your sprayer, paying special attention to the pump, handgun, and valve(s). These items are especially prone to damage from chemicals and freezing weather.

The sprayer should be winterized before storage by pumping a solution of RV antifreeze through the entire plumbing system. This antifreeze solution should remain in the plumbing system during the winter months. When spring time comes and you are preparing your sprayer for the spray season, rinse the entire plumbing system out, clearing the lines of the antifreeze solution. Proper care and maintenance will prolong the life of your sprayer.

1357 Series Boom Assembly Details



DETAIL RH Hinge
(Typ. Each Side)

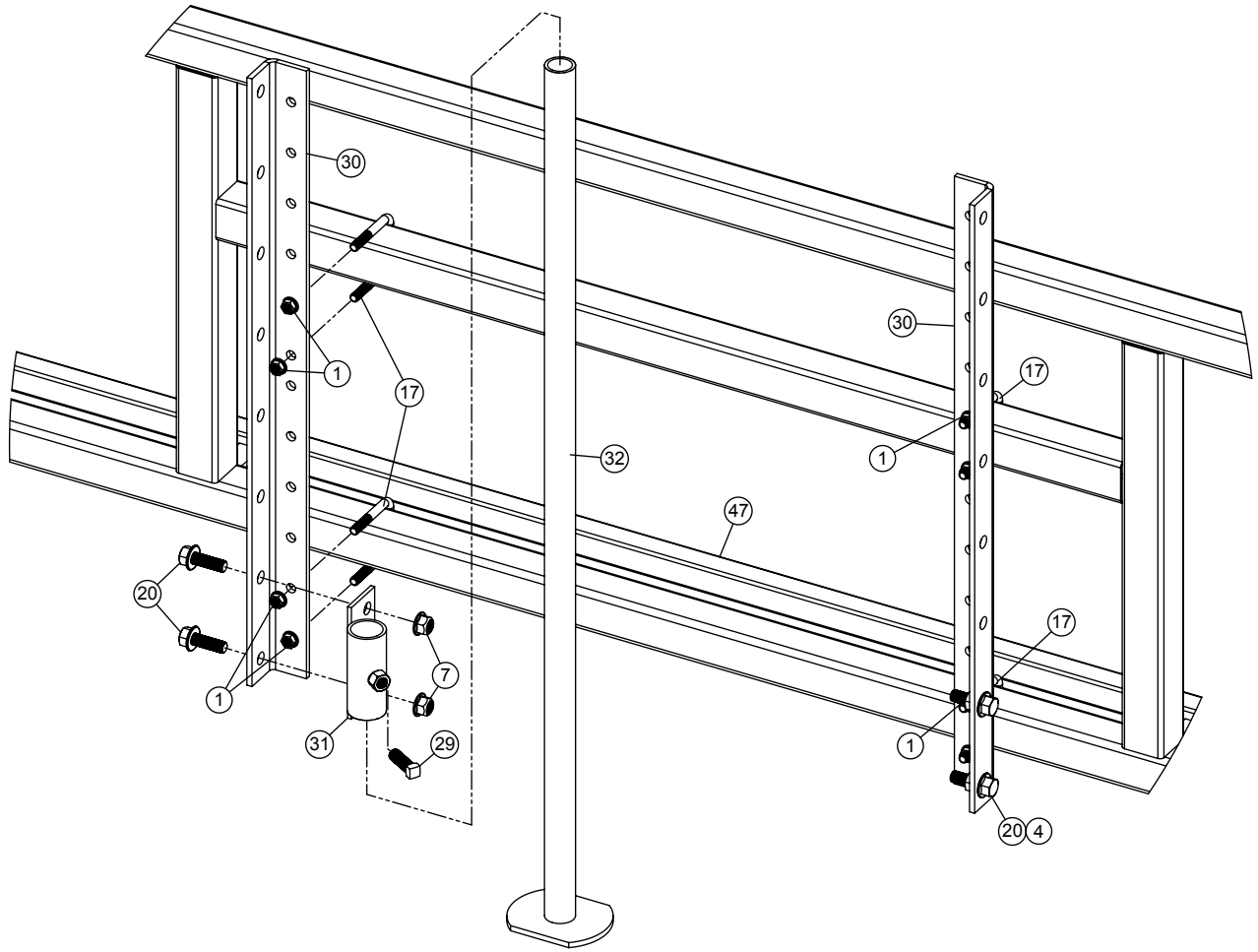


DETAIL 2nd Outer Hinge
(Typ. Each Side)

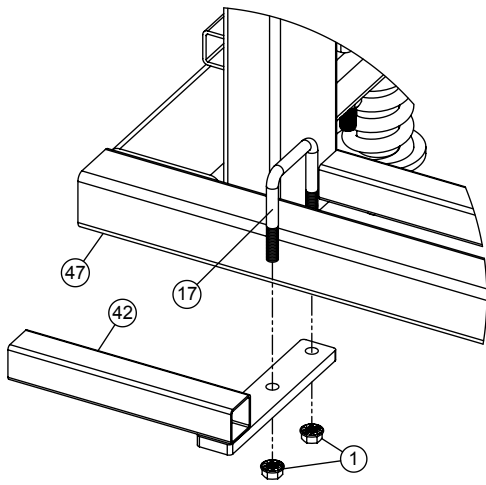
DETAIL Boom Retainer
(On LH Boom Wing)

Boom Configuration Info		
1357-12-QJD	12-Row, 5-Section (42') Boom Assembly	(25 Nozzles)
1357-14-QJD	14-Row, 5-Section (48') Boom Assembly	(29 Nozzles)

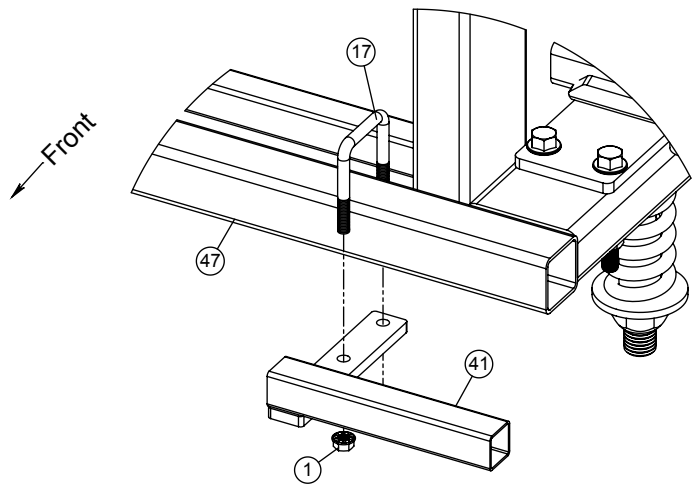
1357 Series Boom Assembly Details



DETAIL Mounting Angles & Stand

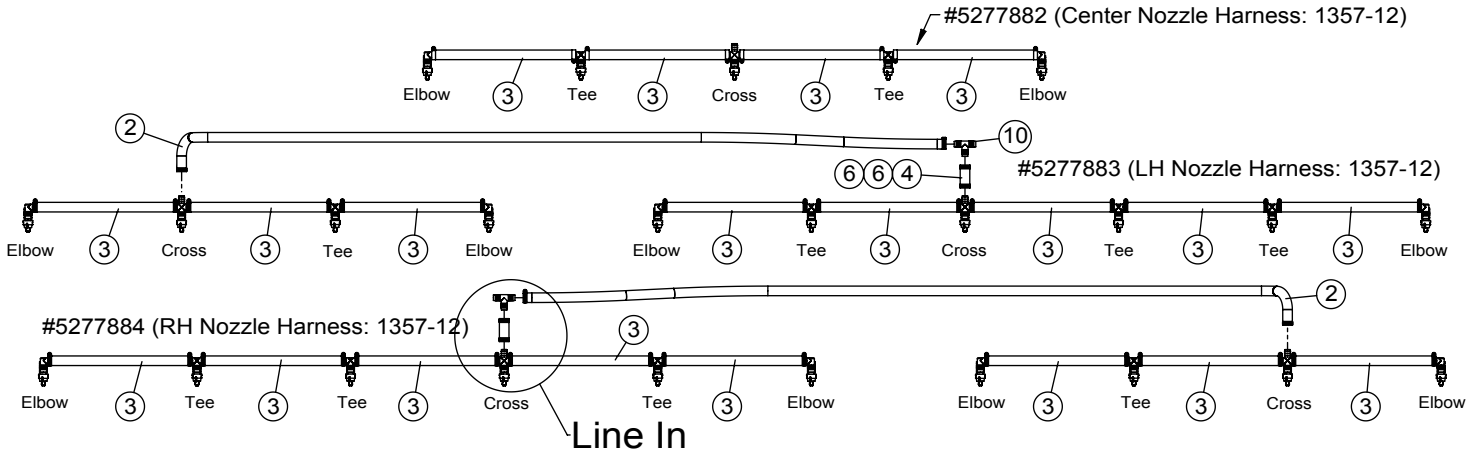


DETAIL RH Nozzle Extension



DETAIL LH Nozzle Extension

#5300358 Complete Nozzle Harness Assembly [1357-12-QJ]

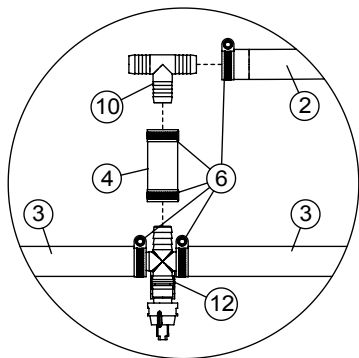


Spray Tip Rate Chart

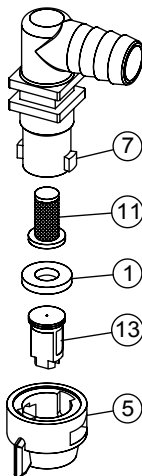
Tip Number	Spray Height	Pressure (psi)	Capacity (GPM)	Gallons Per Acre - Based on Water							
				1 MPH	2 MPH	3 MPH	4 MPH	5 MPH	6 MPH	8 MPH	
AIXR11003VP	18"	15	0.18	53.6	26.8	17.8	13.4	10.7	8.9	6.7	
		20	0.21	62.4	31.2	20.8	15.6	12.5	10.4	7.8	
		30	0.26	77.2	38.6	25.8	19.3	15.4	12.9	9.7	
		40	0.30	88	44	29.8	22	17.8	14.9	11.1	
Tip Number	Spray Height	Pressure (psi)	Capacity (GPM)	Gallons Per 1000 Sq. Ft. - Based on Water							
				2 MPH	3 MPH	4 MPH	5 MPH				
AIXR11003VP	18"	15	0.18	.61	.41	.31	.24				
		20	0.21	.71	.48	.36	.29				
		30	0.26	.88	.59	.44	.35				
		40	0.30	1.0	.68	.51	.41				

Item No	Part Number	Qty	Description
1	5016157	25	Seat Washer (QJ Caps)
2	5020150	2	Hose, 3/4"-1 Brd. x 108" (9 Ft.)
3	5020287	20	Hose, 3/4"-1 Brd. x 19"
4	5020351	2	Hose, 3/4"-1 Brd. x 3"
5	5046217	25	QJ Cap Only (Blue)
6	5051024	48	Hose Clamp, 3/4"
7	5056066	10	Single Hose Shank (3/4" Hose)
8	5056068	10	Double Hose Shank (3/4" Hose)
9	5056070	5	Triple Hose Shank (3/4" Hose)
10	5086030	2	Poly Hose Tee, 3/4" HB
11	5116019	25	Nozzle Strainer, Red (50 Mesh)
12	5272165	25	Vari-Quick Clamp (1 1/4" Sq. Tube)
13	AIXR11003VP	25	Air-Induction XR Flat Spray Tip

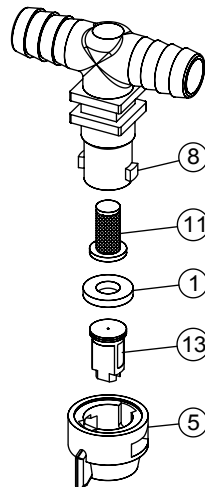
110° wide, tapered flat spray angle with air induction technology for better drift management. Made of 2-piece UHMWPE polymer construction which provides excellent chemical resistance, including acids, as well as exceptional wear life. Compact size to prevent tip damage. Removable pre-orifice. Excellent for systemic products and drift management.



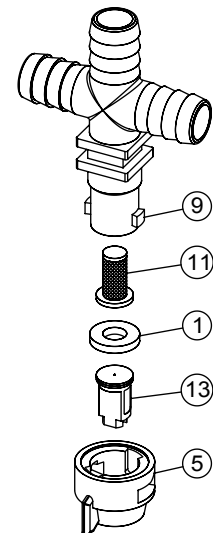
DETAIL Line In



Elbow
#5277722

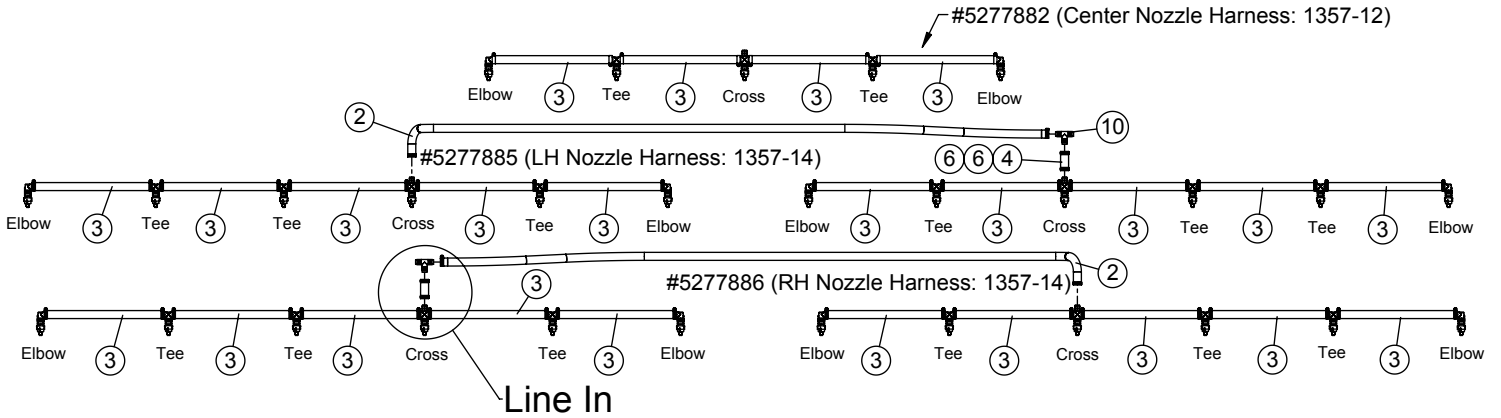


Tee
#5277723



Cross
#5277724

#5300359 Complete Nozzle Harness Assembly [1357-14-QJ]



Spray Tip Rate Chart

Tip Number	Spray Height	Pressure (psi)	Capacity (GPM)	Gallons Per Acre - Based on Water							
				1 MPH	2 MPH	3 MPH	4 MPH	5 MPH	6 MPH	8 MPH	
AIXR11003VP	18"	15	0.18	53.6	26.8	17.8	13.4	10.7	8.9	6.7	
		20	0.21	62.4	31.2	20.8	15.6	12.5	10.4	7.8	
		30	0.26	77.2	38.6	25.8	19.3	15.4	12.9	9.7	
		40	0.30	88	44	29.8	22	17.8	14.9	11.1	
Tip Number	Spray Height	Pressure (psi)	Capacity (GPM)	Gallons Per 1000 Sq. Ft. - Based on Water							
				2 MPH	3 MPH	4 MPH	5 MPH				
AIXR11003VP	18"	15	0.18	.61	.41	.31	.24				
		20	0.21	.71	.48	.36	.29				
		30	0.26	.88	.59	.44	.35				
		40	0.30	1.0	.68	.51	.41				

Item No	Part Number	Qty	Description
1	5016157	29	Seat Washer (QJ Caps)
2	5020150	2	Hose, 3/4"-1 Brd. x 108" (9 Ft.)
3	5020287	24	Hose, 3/4"-1 Brd. x 19"
4	5020351	2	Hose, 3/4"-1 Brd. x 3"
5	5046217	29	QJ Cap Only (Blue)
6	5051024	56	Hose Clamp, 3/4"
7	5056066	10	Single Hose Shank (3/4" Hose)
8	5056068	14	Double Hose Shank (3/4" Hose)
9	5056070	5	Triple Hose Shank (3/4" Hose)
10	5086030	2	Poly Hose Tee, 3/4" HB
11	5116019	29	Nozzle Strainer, Red (50 Mesh)
12	5272165	29	Vari-Quick Clamp (1 1/4" Sq. Tube)
13	AIXR11003VP	29	Air-Induction XR Flat Spray Tip

110° wide, tapered flat spray angle with air induction technology for better drift management. Made of 2-piece UHMWPE polymer construction which provides excellent chemical resistance, including acids, as well as exceptional wear life. Compact size to prevent tip damage. Removable pre-orifice. Excellent for systemic products and drift management.

