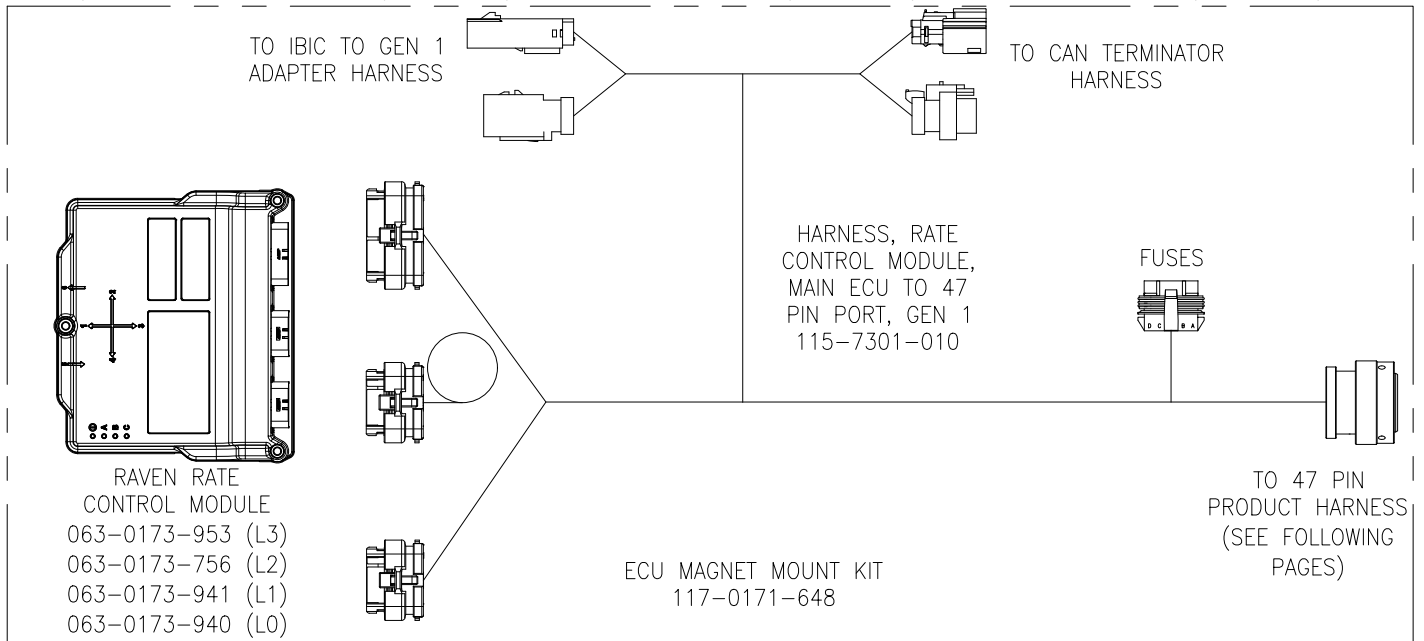
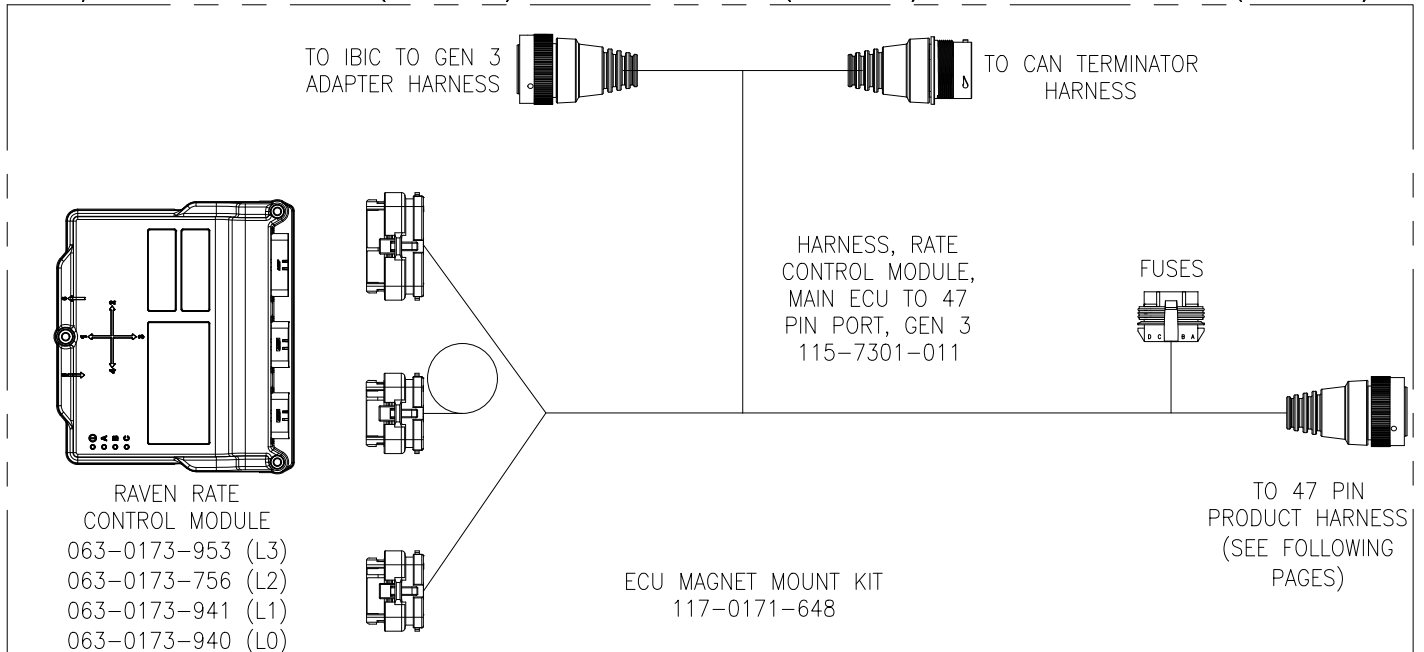


RAVEN RATE CONTROL MODULE

RATE CONTROL MODULE, GEN 1 ISOBUS HARNESSING: KIT P/N 117-7100-007 (LEVEL 3),
KIT P/N 117-7100-006 (LEVEL 2), 117-7100-005 (LEVEL 1), 117-7100-004 (LEVEL 0)



RATE CONTROL MODULE, GEN 3 ISOBUS HARNESSING: KIT P/N 117-7100-008 (LEVEL 3),
KIT P/N 117-7100-003 (LEVEL 2), 117-7100-002 (LEVEL 1) OR 117-7100-001 (LEVEL 0)



NOTES:

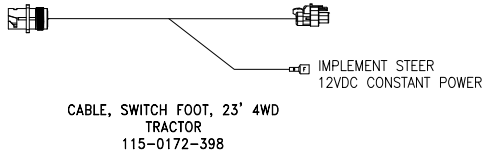
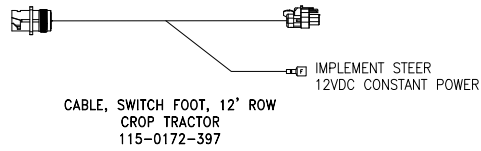
1. RCM KIT INCLUDES ECU, MAIN ECU HARNESS, AND MAGNET MOUNTING KIT. OPERATOR'S MANUAL AVAILABLE ONLINE.
2. ORDER SEPARATELY:
 - A) IBIC TO GEN 1 OR GEN 3 ISOBUS ADAPTER HARNESS AND CAN TERMINATOR: REFERENCE 054-7000-002
 - B) MASTER/SECTION SENSE OPTIONS SEE PAGE 2
 - C) REFERENCE RCM NPI GUIDE FOR SOFTWARE ACTIVATIONS

- D) ISOBUS IMPLEMENT CONNECTOR (IF NOT EQUIPPED): REFERENCE 054-7000-002
- E) PRODUCT HARNESS SEE FOLLOWING PAGES
- F) OPTIONAL MOUNTING PLATE KIT 117-0171-680
- G) OPERATOR'S MANUAL 016-0171-637

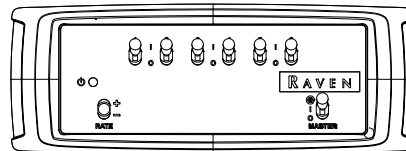
RELEASED DATE	ECO #	REV.	DRAWING NO.
3/25/19	31289	E	054-7100-003
8/19/19	33092	F	054-7100-003

RAVEN MASTER/SECTION SENSE OPTIONS

MASTER SWITCH OPTIONS



ISO SWITCHBOX (STAND-ALONE)



RAVEN ISO SWITCHBOX
117-6020-001

AVAILABLE KITS:

FOR USE WITH RAVEN VIPER 4(+)

117-6020-004 * DEERE GS4640 DISPLAY:

FOR USE WITH RAVEN CR7

117-2295-051 ORDER MOUNTING KIT P/N
117-0171-533 AND QTY 4

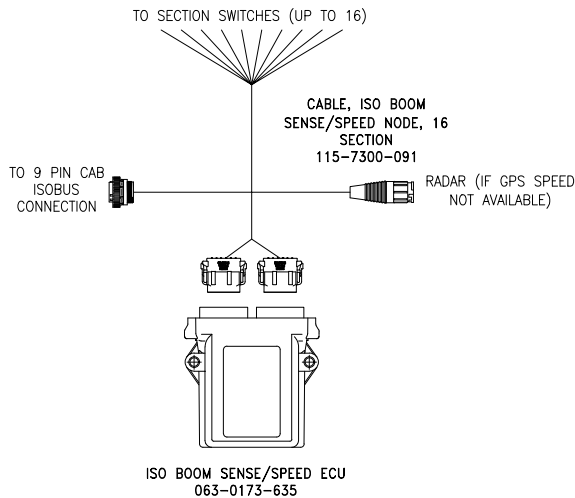
FOR USE WITH DEERE GS2630*

117-6020-002 OF BOLT P/N 311-0070-052

FOR USE WITH CNH PRO 700/INTELLVIEW

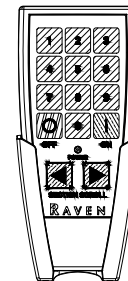
117-6020-003

ECU INTERFACE TO PRE-EXISTING SWITCHES

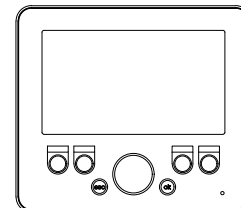
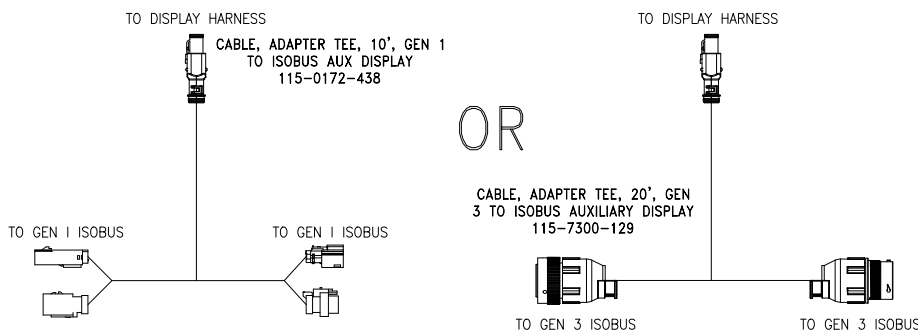


SECTION CONTROL REMOTE 2.0

SECTION CONTROL REMOTE
P/N: 063-0174-001



ISOBUS AUXILIARY DISPLAY



* KIT P/N 117-0171-702
CONTAINS DISPLAY, MOUNTING
BRACKET, AND DISPLAY
HARNESS

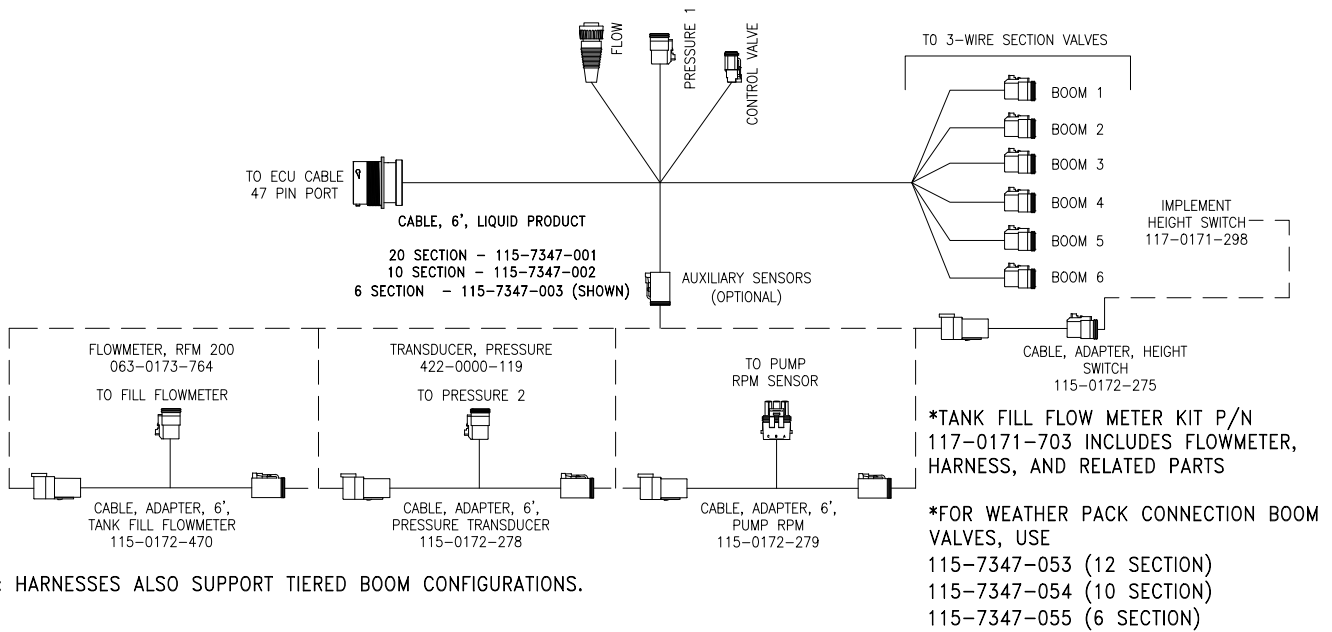
CONSOLE, ISOBUS AUXILIARY,
4.3" DISPLAY
063-0173-938

OPTIONAL RAM MOUNT KIT
117-0171-709

RELEASED DATE	ECO #	REV.	DRAWING NO.
3/25/19	31289	E	054-7100-003
8/19/19	33092	F	054-7100-003

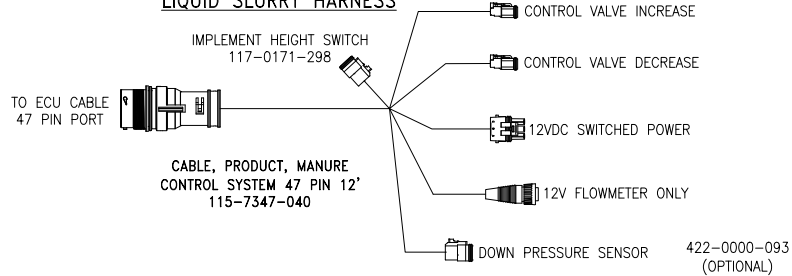
RAVEN RCM SPRAYER/LIQUID APPLICATOR OPTIONS

GENERIC LIQUID HARNESSSES

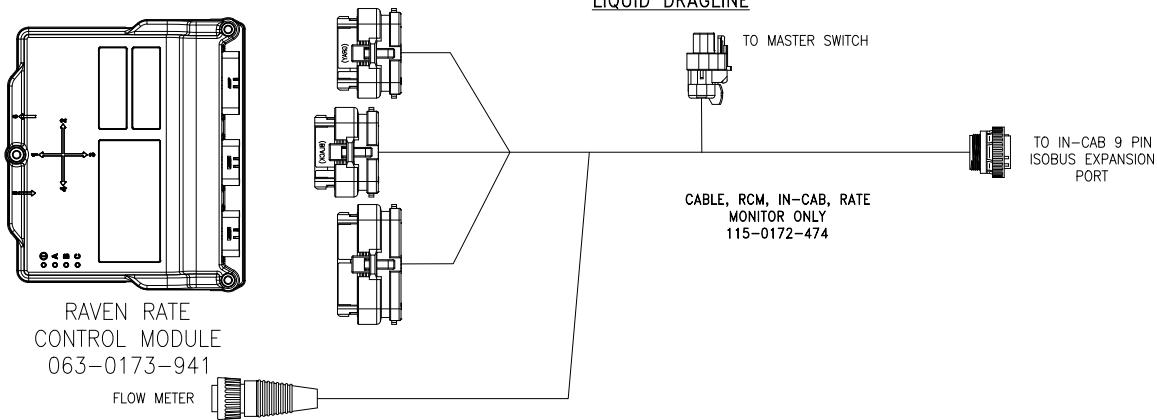


NOTE: HARNESSSES ALSO SUPPORT TIERED BOOM CONFIGURATIONS.

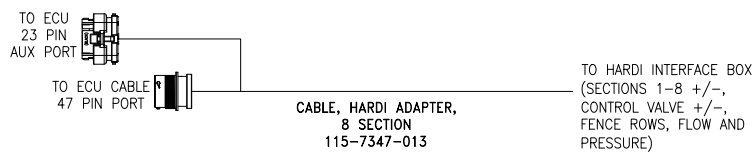
LIQUID SLURRY HARNESS



LIQUID DRAGLINE



HARDI SPRAYER/ TWO-WIRE SECTION VALVE CONFIGURATIONS

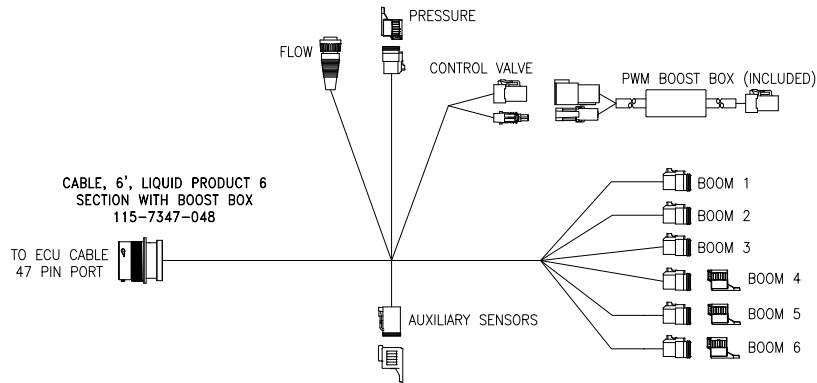


SIDEKICK PRO ICD
 REFERENCE DWG. 054-7120-001 FOR OPTIONS

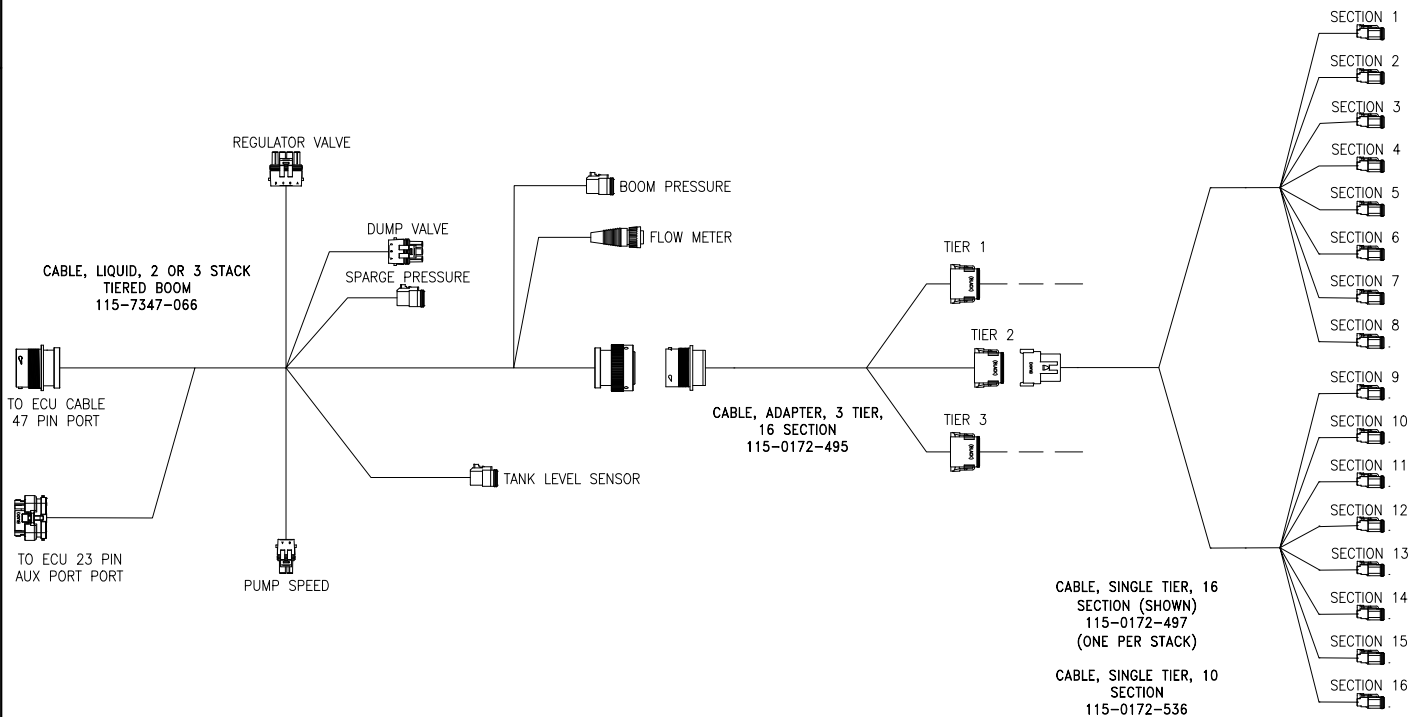
RELEASED DATE	ECO #	REV.	DRAWING NO.
3/25/19	31289	E	054-7100-003
8/19/19	33092	F	054-7100-003

RAVEN RCM SPRAYER/LIQUID APPLICATOR OPTIONS

LIQUID PRODUCT 6 SECTION WITH BOOST BOX



RAVEN RCM SPRAYER/LIQUID TIERED BOOM 2 OR 3 STACK WITH LOW SIDE DRIVE (UP TO 16 SECTION TWO-WIRE AIR VALVES)

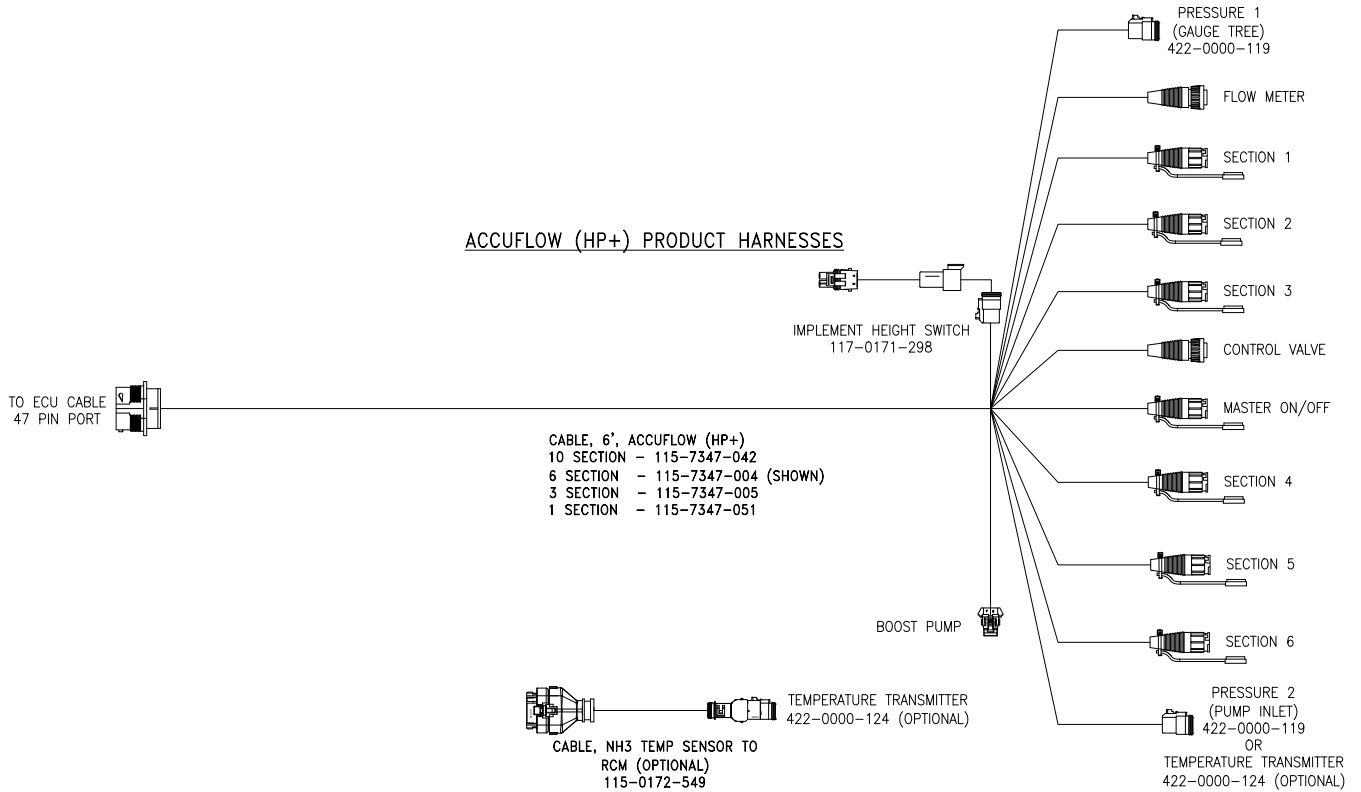


NOTE:
FOR SIMILAR CONFIGURATIONS USING A SINGLE TIER OR
DUAL TIER (UP TO 18 VALVES), USE P/N 115-7347-086

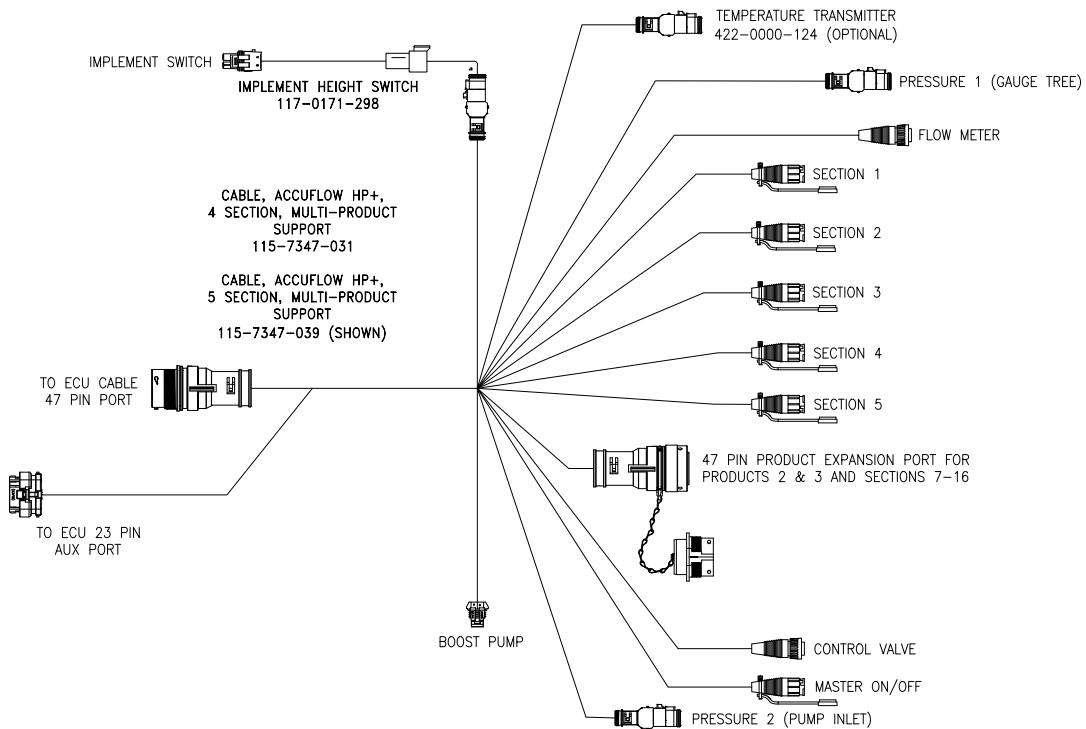
SIDEKICK PRO ICD
REFERENCE DWG. 054-7120-001 FOR OPTIONS

RELEASED DATE	ECO #	REV.	DRAWING NO.
3/25/19	31289	E	054-7100-003
8/19/19	33092	F	054-7100-003

RAVEN RCM NH3/ACCUFLOW (HP+) OPTIONS



ACCUFLOW (HP+) HARNESS - MULTI-PRODUCT OPTION



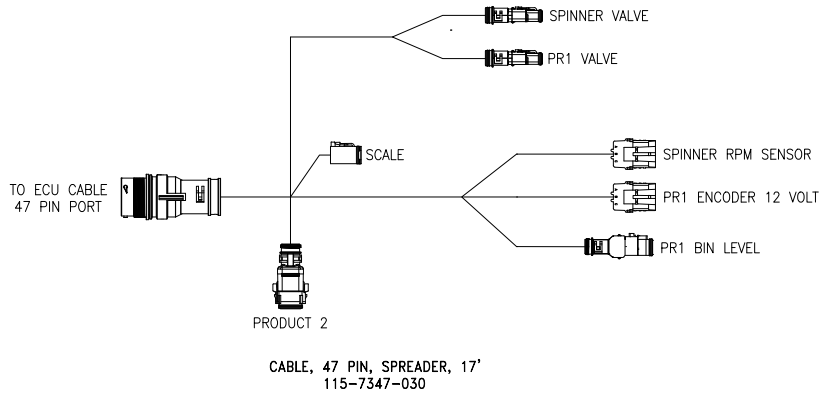
SIDEKICK PRO ICD
REFERENCE DWG. 054-7120-001 FOR OPTIONS

ACCUFLOW VORTEX (HP+)
REFERENCE DWG. 054-1201-001

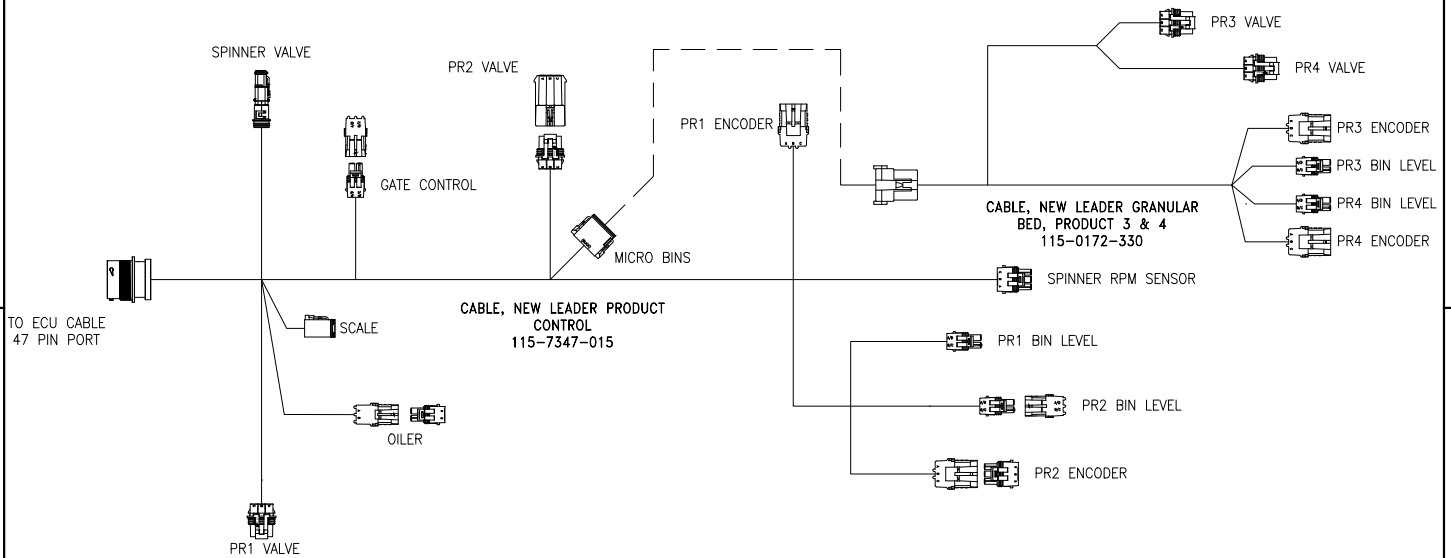
RELEASED DATE	ECO #	REV.	DRAWING NO.
3/25/19	31289	E	054-7100-003
8/19/19	33092	F	054-7100-003

RAVEN RCM SPREADER OPTIONS

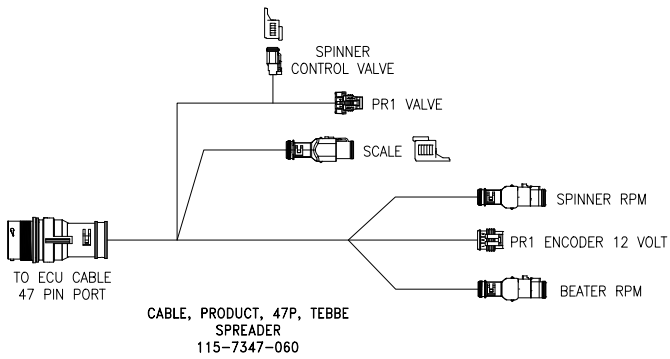
GENERIC SPREADER



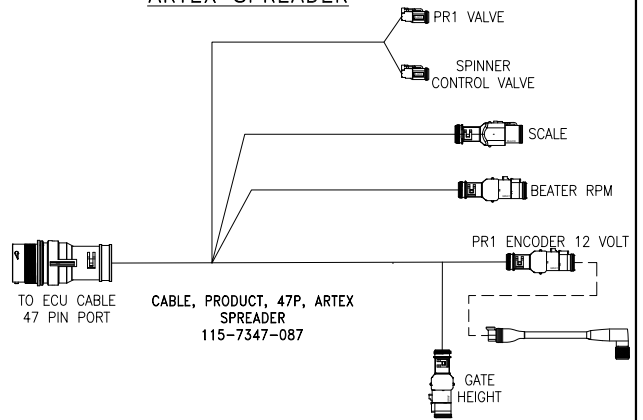
NEW LEADER 4000 SPINNER BOX (1-4 BINS)



TEBBE SPREADER



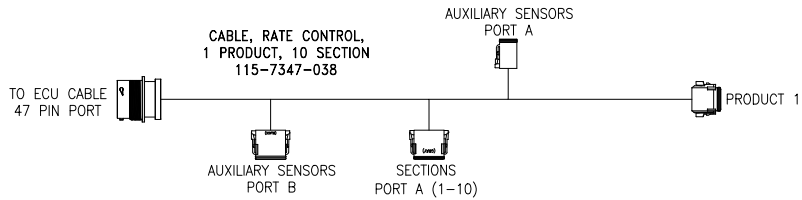
ARTEX SPREADER



RELEASED DATE	ECO #	REV.	DRAWING NO.
3/25/19	31289	E	054-7100-003
8/19/19	33092	F	054-7100-003

RAVEN RCM AIR CART/GENERIC APPLICATOR OPTIONS

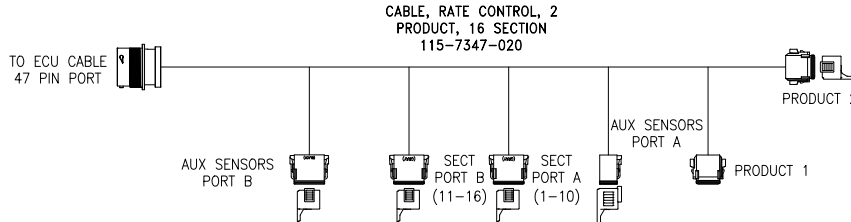
GENERIC PRODUCT HARNESS (1 PRODUCT, 10 SECTIONS)



*NOTE: SEE PRODUCT CONTROL, SECTION CONTROL, & AUXILIARY SENSOR HARNESS OFFERINGS TO COMPLETE HARNESS CONFIGURATION.

SECTION CONTROL DRIVERS CAN BE CONFIGURED AS NEEDED FOR PRODUCTS VIA SETUP WIZARD.

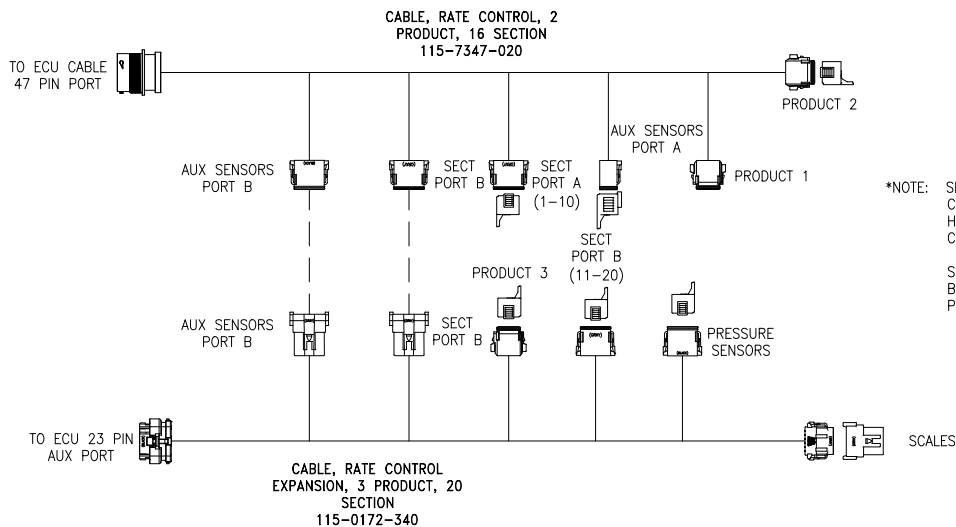
GENERIC PRODUCT HARNESS (2 PRODUCT, 16 SECTIONS)



*NOTE: SEE PRODUCT CONTROL, SECTION CONTROL, & AUXILIARY SENSOR HARNESS OFFERINGS TO COMPLETE HARNESS CONFIGURATION.

SECTION CONTROL DRIVERS CAN BE CONFIGURED AS NEEDED FOR PRODUCTS VIA SETUP WIZARD.

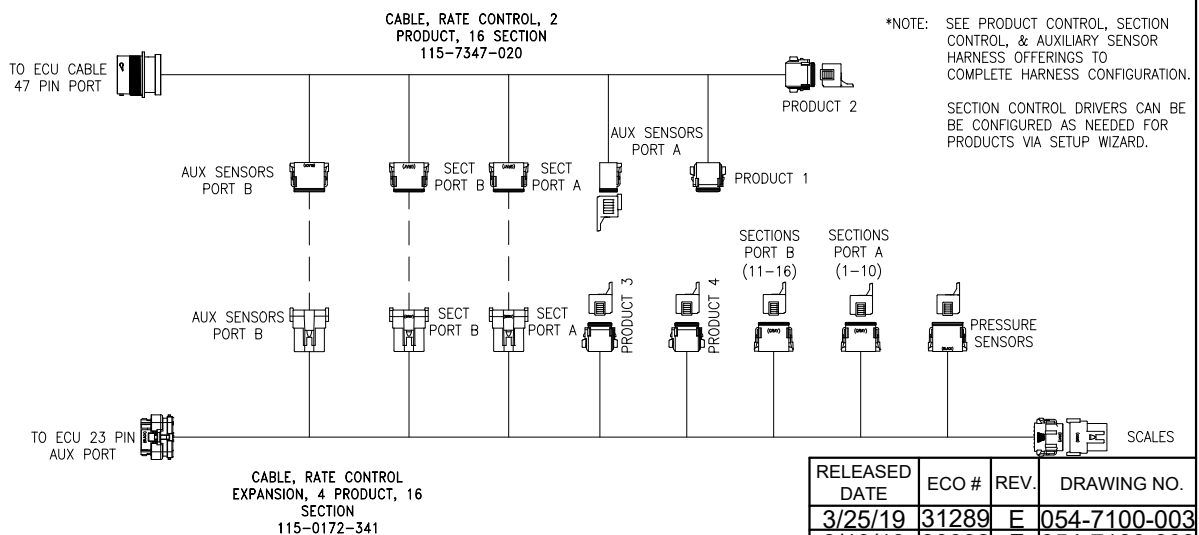
GENERIC PRODUCT HARNESS (3 PRODUCT, 20 SECTIONS)



*NOTE: SEE PRODUCT CONTROL, SECTION CONTROL, & AUXILIARY SENSOR HARNESS OFFERINGS TO COMPLETE HARNESS CONFIGURATION.

SECTION CONTROL DRIVERS CAN BE CONFIGURED AS NEEDED FOR PRODUCTS VIA SETUP WIZARD.

GENERIC PRODUCT HARNESS (4 PRODUCT, 16 SECTIONS)

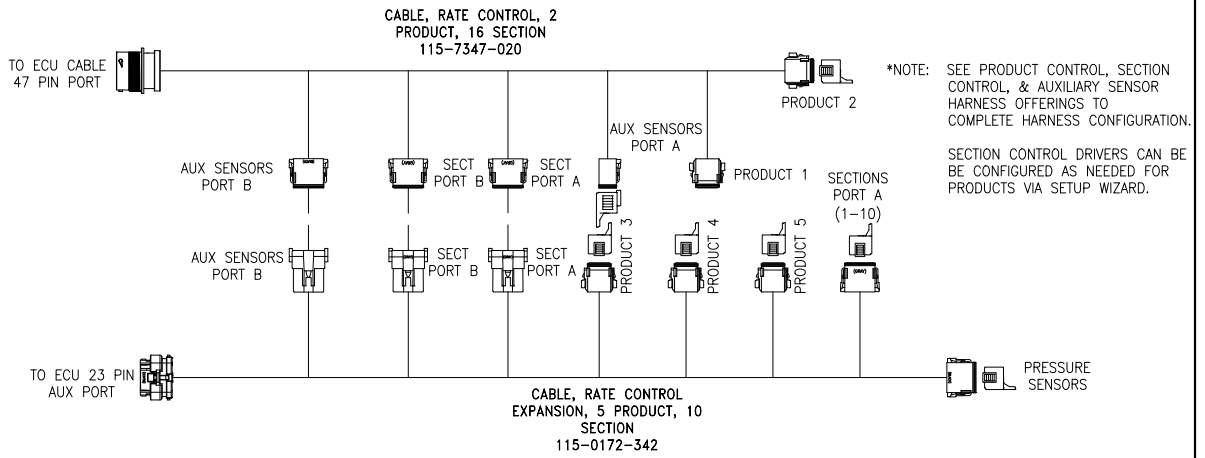


*NOTE: SEE PRODUCT CONTROL, SECTION CONTROL, & AUXILIARY SENSOR HARNESS OFFERINGS TO COMPLETE HARNESS CONFIGURATION.

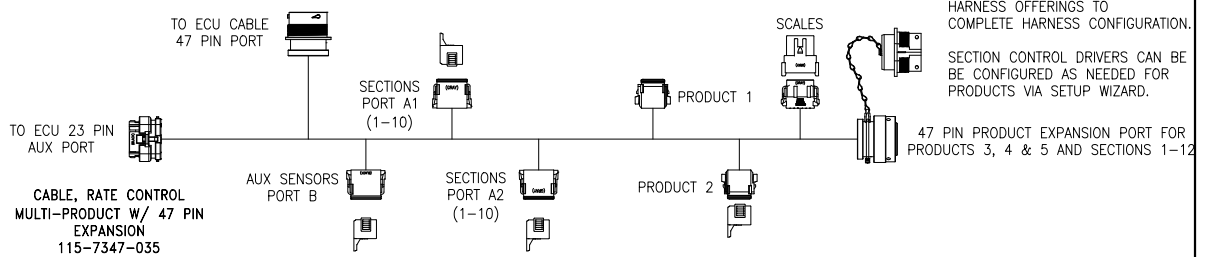
SECTION CONTROL DRIVERS CAN BE CONFIGURED AS NEEDED FOR PRODUCTS VIA SETUP WIZARD.

RELEASED DATE	ECO #	REV.	DRAWING NO.
3/25/19	31289	E	054-7100-003
8/19/19	33092	F	054-7100-003

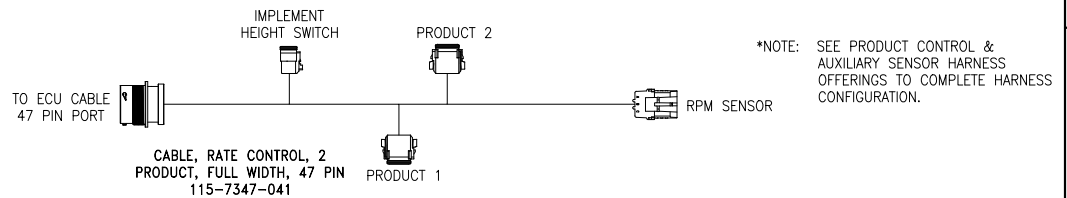
GENERIC PRODUCT HARNESS (5 PRODUCT, 10 SECTIONS)



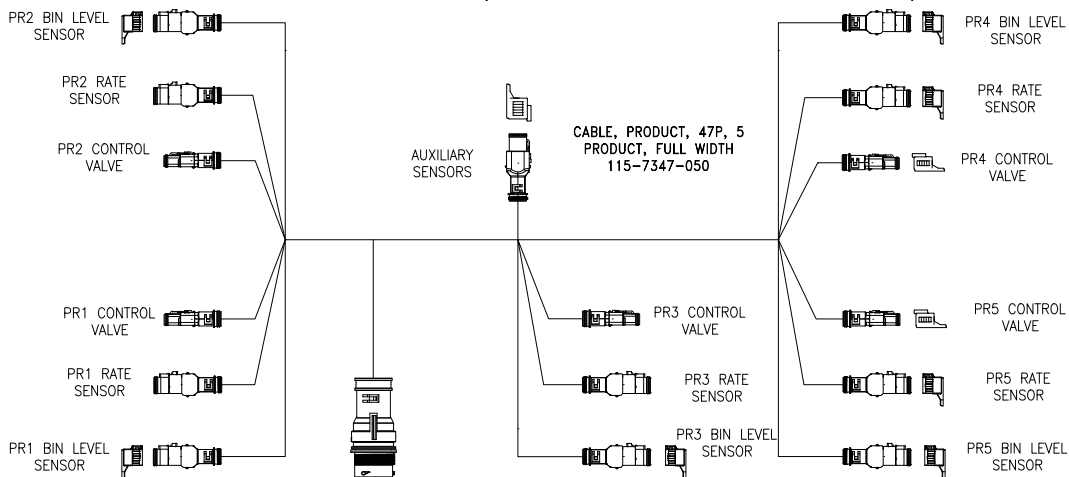
GENERIC PRODUCT HARNESS (5 PRODUCT, 12 SECTIONS)



GENERIC PRODUCT HARNESS (2 PRODUCT, FULL WIDTH SECTIONS)

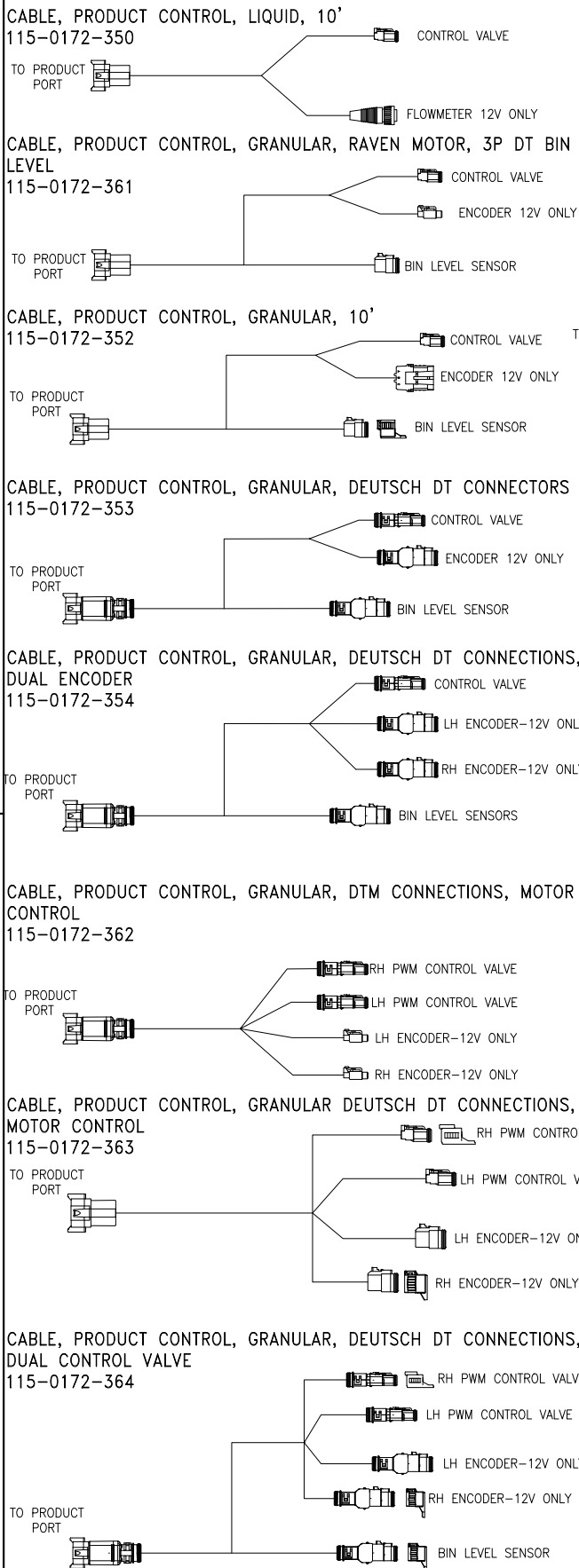


GENERIC PRODUCT HARNESS (5 PRODUCT, FULL WIDTH SECTIONS)

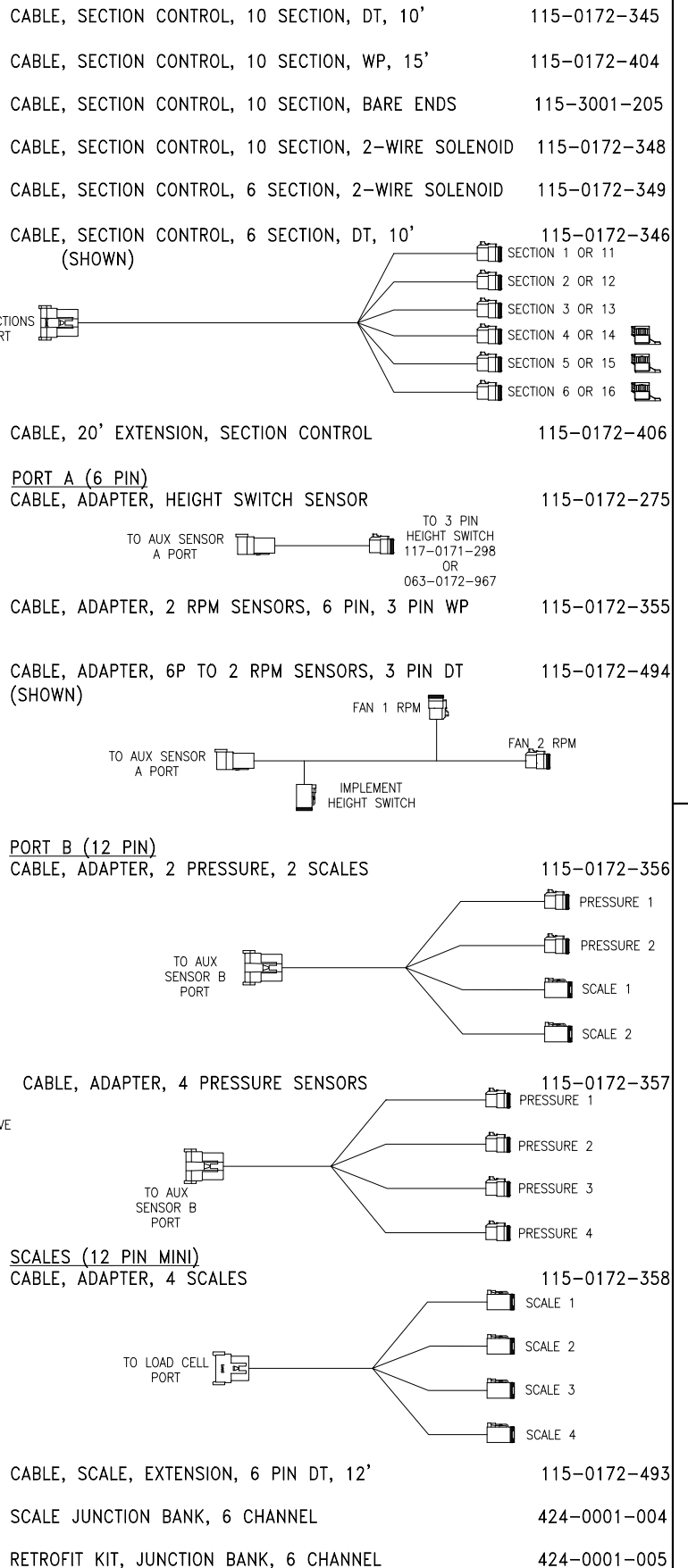


RELEASED DATE	ECO #	REV.	DRAWING NO.
3/25/19	31289	E	054-7100-003
8/19/19	33092	F	054-7100-003

PRODUCT PORT ADAPTER HARNESSES



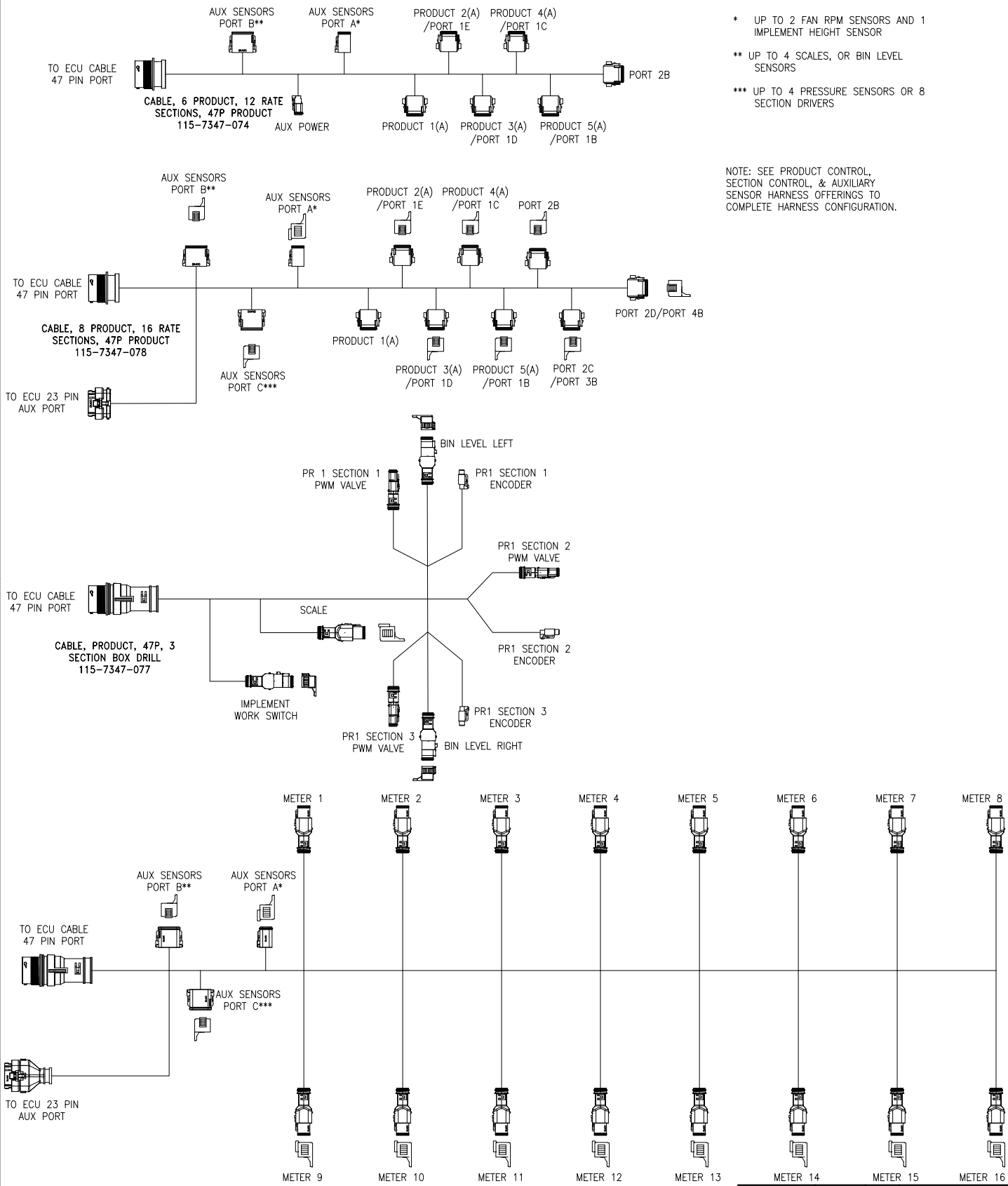
SECTION CONTROL PORT ADAPTER HARNESSES



CABLE, 20' EXTENSION PRODUCT CONTROL
115-3001-118

RELEASED DATE	ECO #	REV.	DRAWING NO.
3/25/19	31289	E	054-7100-003
8/19/19	33092	F	054-7100-003

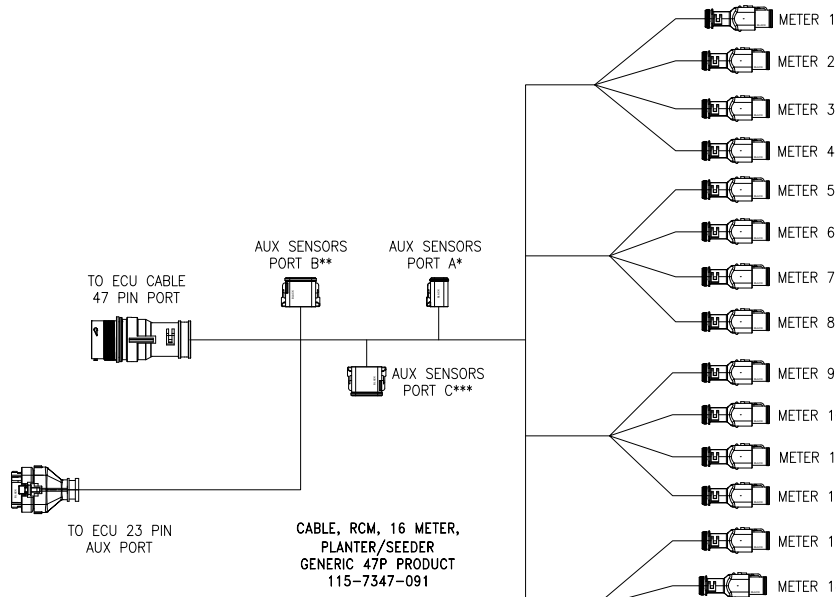
RAVEN RCM PLANTER AND SEEDER CONTROLS WITH RATE CONTROL SECTIONS



CABLE, PRODUCT, 47P,
RCM, 16 CHANNEL, 2
BIN AIR CART
115-7347-088

RELEASED DATE	ECO #	REV.	DRAWING NO.
3/25/19	31289	E	054-7100-003
8/19/19	33092	F	054-7100-003

RATE CONTROL SECTIONS (CONTINUED)

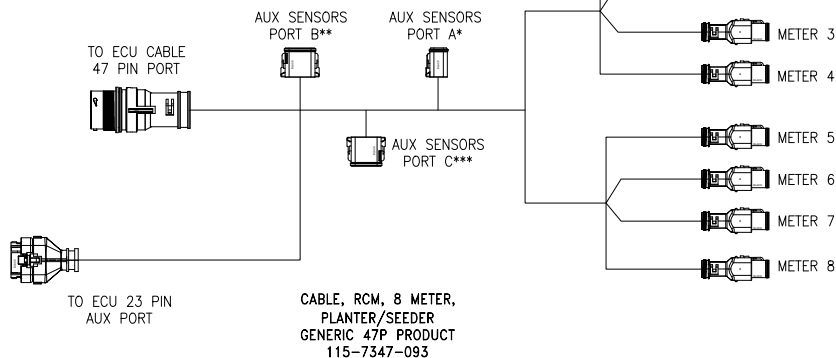
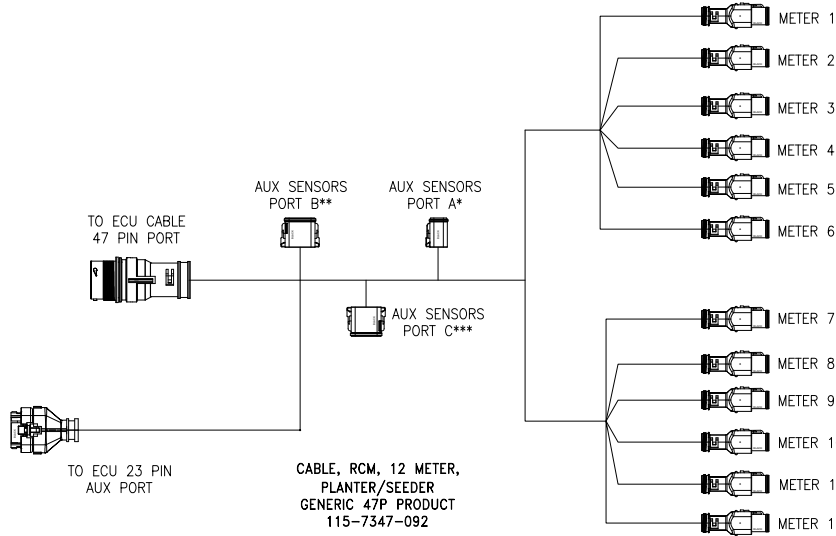


* UP TO 2 FAN RPM SENSORS AND 1 IMPLEMENT HEIGHT SENSOR

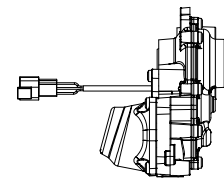
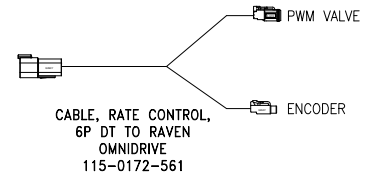
** UP TO 4 SCALES, OR BIN LEVEL SENSORS

*** UP TO 4 PRESSURE SENSORS OR 8 SECTION DRIVERS

NOTE: SEE PRODUCT CONTROL, SECTION CONTROL, & AUXILIARY SENSOR HARNESS OFFERINGS TO COMPLETE HARNESS CONFIGURATION.

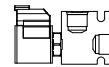


OPTIONAL:
KIT, OMNIDRIVE, SEEDER
117-3001-116
KIT, OMNIDRIVE MOTOR, PLANTER
117-3001-115



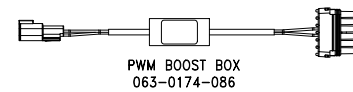
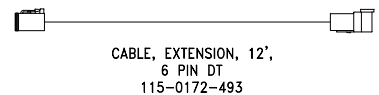
MOTOR, HYD. DTM, 7/8" HEX, 1 GPM 416-8000-002

PWM VALVE
063-0131-140 (SHOWN)
INCLUDED WITH 117-3001-115
063-0131-144
INCLUDED WITH 117-3001-116



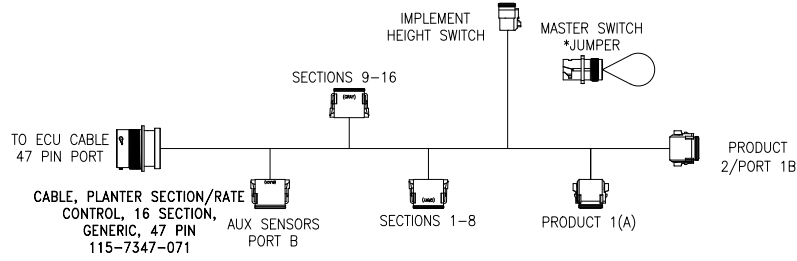
ALSO INCLUDED IN KIT:
ADAPTER FITTING: 333-0012-240

-REFER TO 054-7001-016



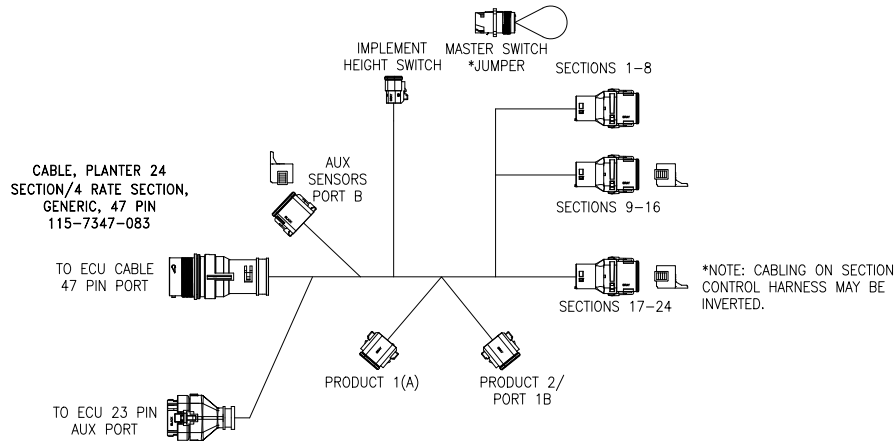
RELEASED DATE	ECO #	REV.	DRAWING NO.
3/25/19	31289	E	054-7100-003
8/19/19	33092	F	054-7100-003

RAVEN RCM PLANTER CONTROLS WITH CLUTCHES

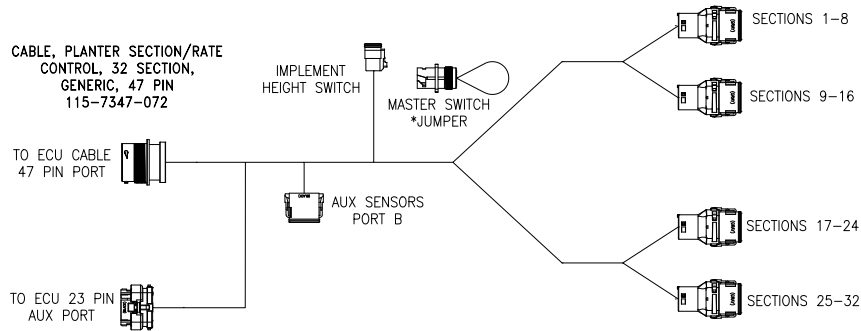


*CONNECT AT IBIC WHEN MASTER SWITCH NOT IN USE

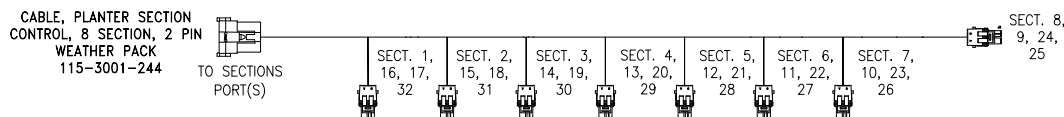
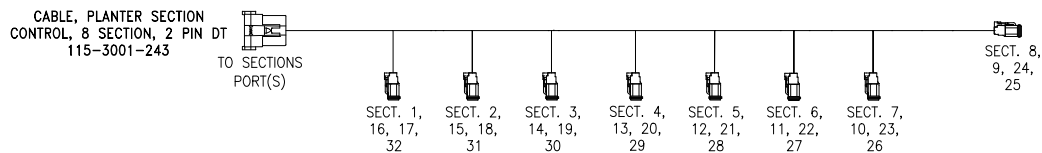
NOTE: SEE PRODUCT CONTROL, SECTION CONTROL, & AUXILIARY SENSOR HARNESS OFFERINGS TO COMPLETE HARNESS CONFIGURATION.



*NOTE: CABLING ON SECTION CONTROL HARNESS MAY BE INVERTED.

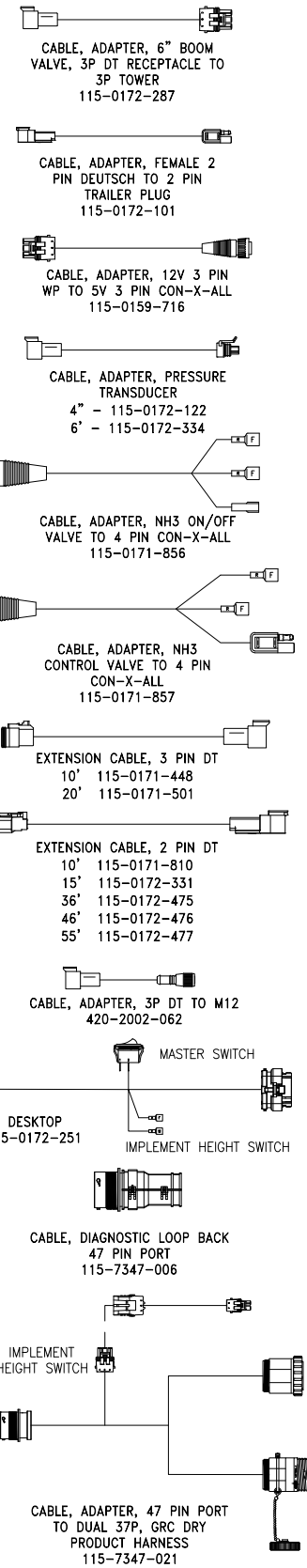
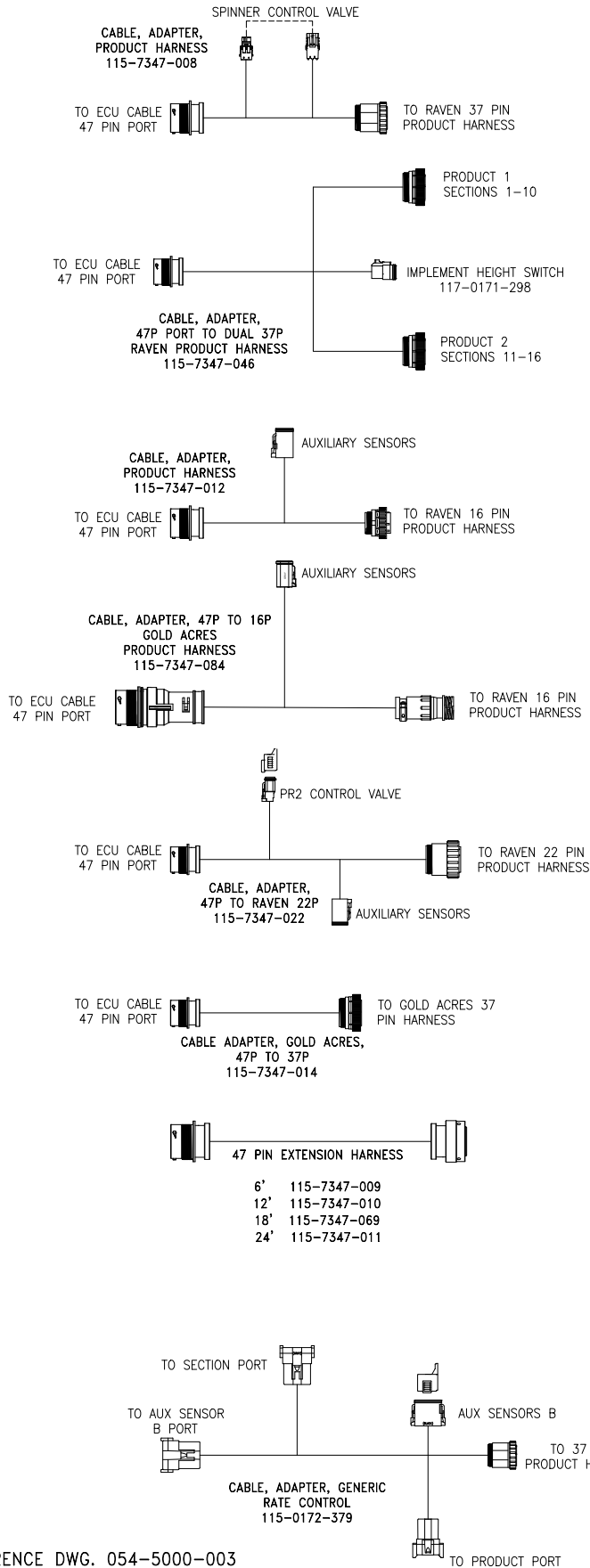


SECTION CONTROL HARNESS OPTIONS



RELEASED DATE	ECO #	REV.	DRAWING NO.
3/25/19	31289	E	054-7100-003
8/19/19	33092	F	054-7100-003


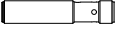
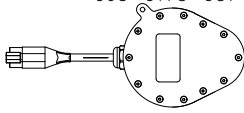
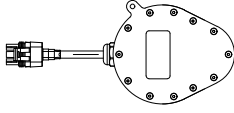


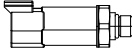
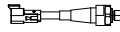

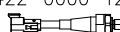
RAVEN RCM ADAPTER HARNESSES/ACCESSORIES



NOTE
 REFERENCE DWG. 054-5000-003
 FOR ADDITIONAL OPTIONS
 PAGE 13 OF 16

RELEASED DATE	ECO #	REV.	DRAWING NO.
3/25/19	31289	E	054-7100-003
8/19/19	33092	F	054-7100-003

SENSOR OFFERINGS

BIN LEVEL SENSOR, 30MM	412-6000-008	
BIN LEVEL SENSOR, 12MM	412-6000-015	
ENCODER, 360 PPR, 12 VOLT, DEUTSCH DT	063-0173-937	
ENCODER, 360 PPR, 12 VOLT, WEATHERPACK	063-0171-786	
FAN/SPINNER RPM SENSOR, WEATHERPACK	117-0159-575	
FAN/SPINNER RPM SENSOR, 12MM HOUSING, DT AND SHAFT/GEAR TOOTH SENSOR, 12MM HOUSING, DT	412-6000-016	
HYDRAULIC PRESSURE TRANSDUCER, DT 0-3000 PSI	422-0000-093	
BIN PRESSURE SENSOR, DT, -55 TO 55 INCHES OF WATER	422-0000-125	
BIN PRESSURE SENSOR, DT, 0 TO 138 INCHES OF WATER	422-0000-149	
LIQUID PRESSURE SENSOR, DT, 0 TO 250 PSI	422-0000-119	
TANK LEVEL SENSOR, 0 TO 5 PSI	422-0000-126	

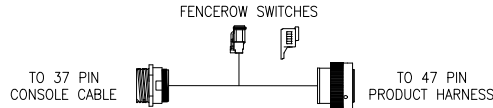
SOFTWARE ACTIVATIONS

CODE, AUTHORIZATION, RCM, LEVEL 0 TO LEVEL 1	077-0180-198
CODE, AUTHORIZATION, RCM, LEVEL 1 TO LEVEL 2	077-0180-200
CODE, AUTHORIZATION, RCM, LEVEL 2 TO LEVEL 3	077-0180-241
CODE, AUTHORIZATION, RCM, 3 STACK TIERED BOOM	077-0180-202

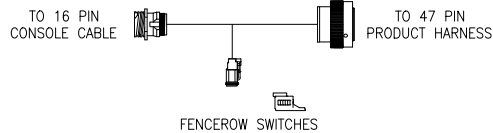
RELEASED DATE	ECO #	REV.	DRAWING NO.
3/25/19	31289	E	054-7100-003
8/19/19	33092	F	054-7100-003

SCS CONSOLE TO 47 PIN PRODUCT HARNESS ADAPTER CABLES

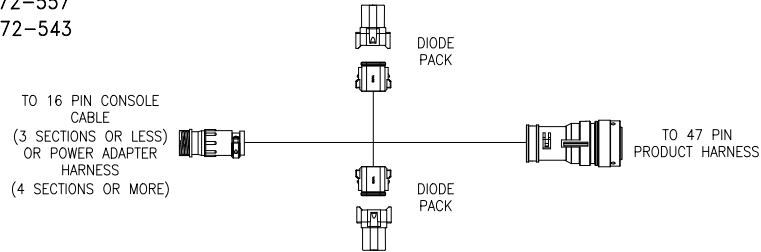
CABLE, ADAPTER, 37 PIN CONSOLE TO 47 PIN PRODUCT PORT
115-0172-426



CABLE, ADAPTER, 16 PIN CONSOLE TO 47 PIN PRODUCT PORT
115-0172-427



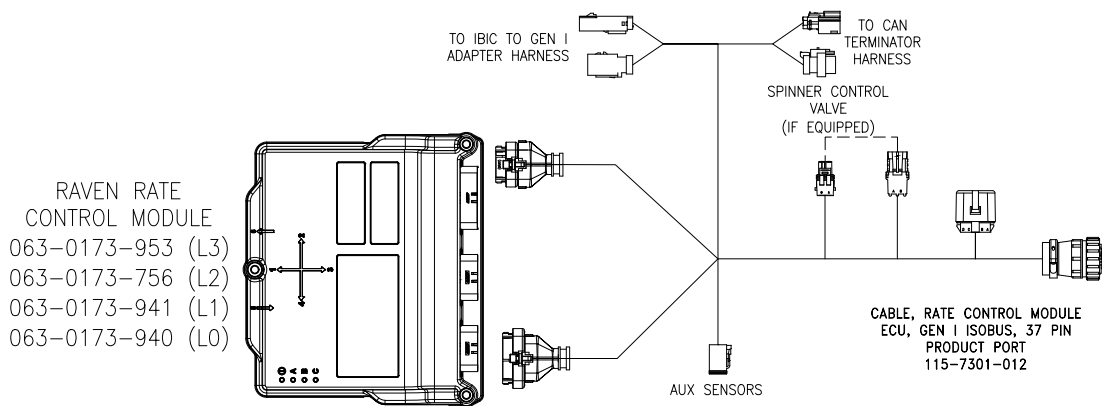
CABLE, ADAPTER, 16 PIN CONSOLE TO 47 PIN PRODUCT PORT, ACCUFLOW DUAL VALVE COMPATIBLE
10' - 115-0172-557
24' - 115-0172-543



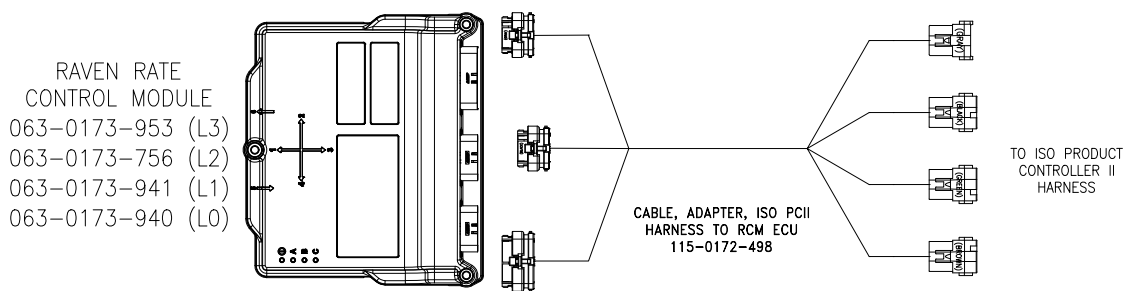
CABLE, ADAPTER, 22 PIN CONSOLE TO 47 PIN PRODUCT PORT, 25'
115-0172-556



ECU HARNESS WITH 37 PIN PRODUCT PORT



ECU HARNESS, ADAPTER TO ISO PRODUCT CONTROLLER II HARNESSING

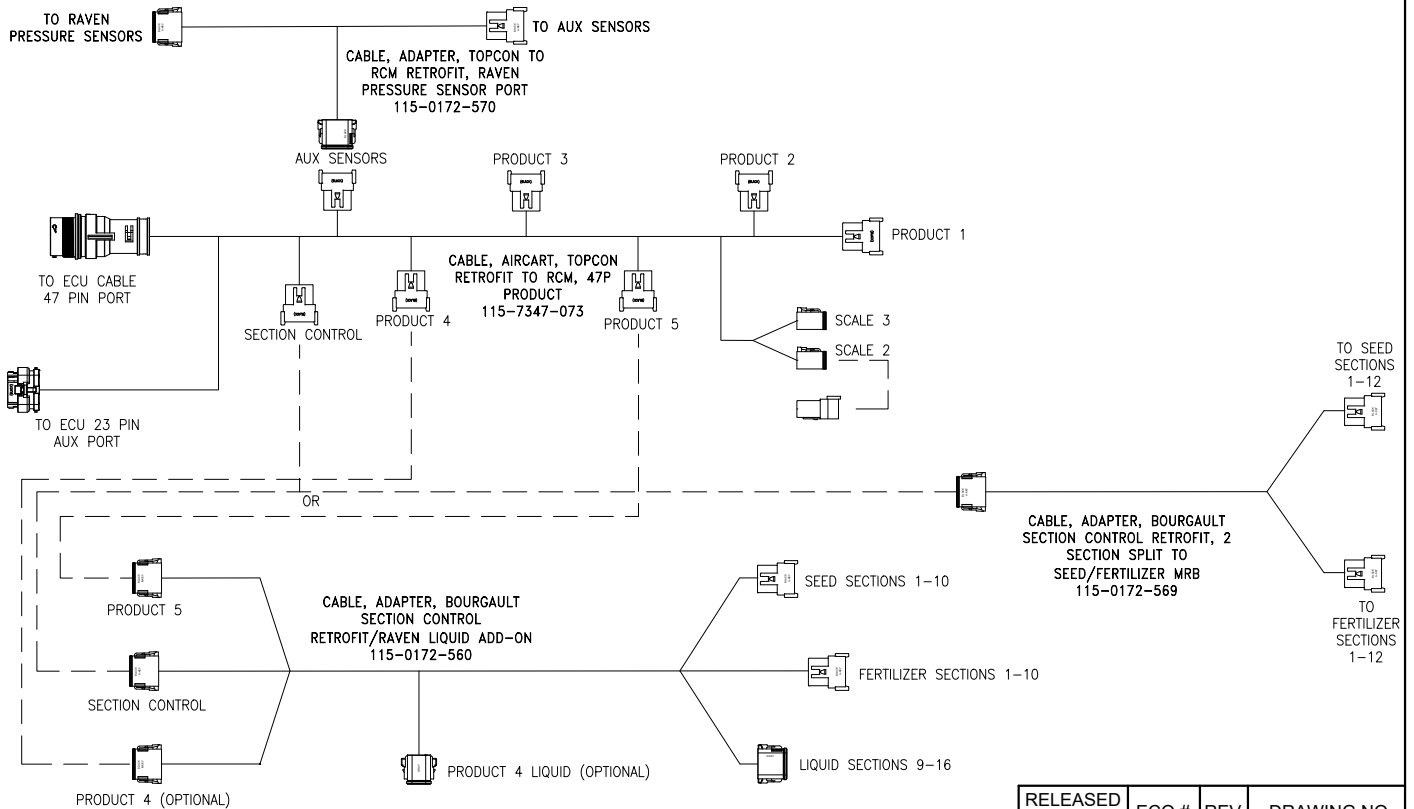


RELEASED DATE	ECO #	REV.	DRAWING NO.
3/25/19	31289	E	054-7100-003
8/19/19	33092	F	054-7100-003

MACHINE SPECIFIC HARNESSSES

CABLE, PRODUCT, 47 PIN, 4 PRODUCT, SEEDMASTER CART	115-7347-032
CABLE, PRODUCT, 47 PIN, HORSCH SW1000 CART	115-7347-036
CABLE, PRODUCT, 47 PIN, 3 PRODUCT, AMITY CART	115-7347-049
CABLE, PRODUCT, 47 PIN, 3 PRODUCT, ETS SOIL WARRIOR	115-7347-052
CABLE, PRODUCT, 47 PIN, DEERE 1990 AIR DRILL	115-7347-067
CABLE, PRODUCT, 47 PIN, RADIUM SPREADER	115-7347-068
CABLE, PRODUCT, 47 PIN, JAN SPREADER	115-7347-076
CABLE, PRODUCT, 47 PIN, FAST LIQUID FERTILIZER APPLICATOR	115-7347-079
CABLE, PRODUCT, 47 PIN, DALTON AG MULTIBIN SPREADER 5050	115-7347-081
CABLE, PRODUCT, 47 PIN, DALTON AG SINGLE BIN SPREADER	115-7347-085
CABLE, PRODUCT, 47 PIN, AUSPLOW 5 PRODUCT	115-7347-089
CABLE, RCM ECU, AMITY 2/3 BIN BASE	115-7100-016
CABLE, RCM ECU, SPREADER/SPINNER WITH OPTIONAL TWIN BIN (CHANDLER)	115-7100-030
CABLE, RCM ECU, CASE IH NUTRI-PLACER 920	115-7302-045
CABLE, RCM ECU, ETS SOIL WARRIOR, 3 PRODUCT	115-7100-036
CABLE, RCM ECU, SALFORD MULTI-BIN AIRBOOM	115-7302-060
CABLE, RCM ECU, SALFORD SINGLE BIN AIRBOOM	115-7302-061

RETROFIT FROM TOPCON APOLLO TO RCM



RELEASED DATE	ECO #	REV.	DRAWING NO.
3/25/19	31289	E	054-7100-003
8/19/19	33092	F	054-7100-003